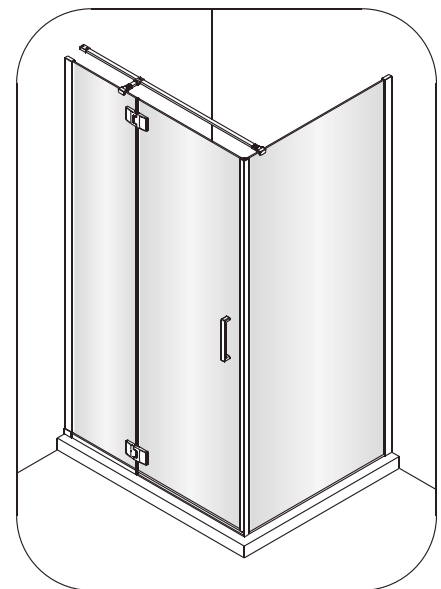
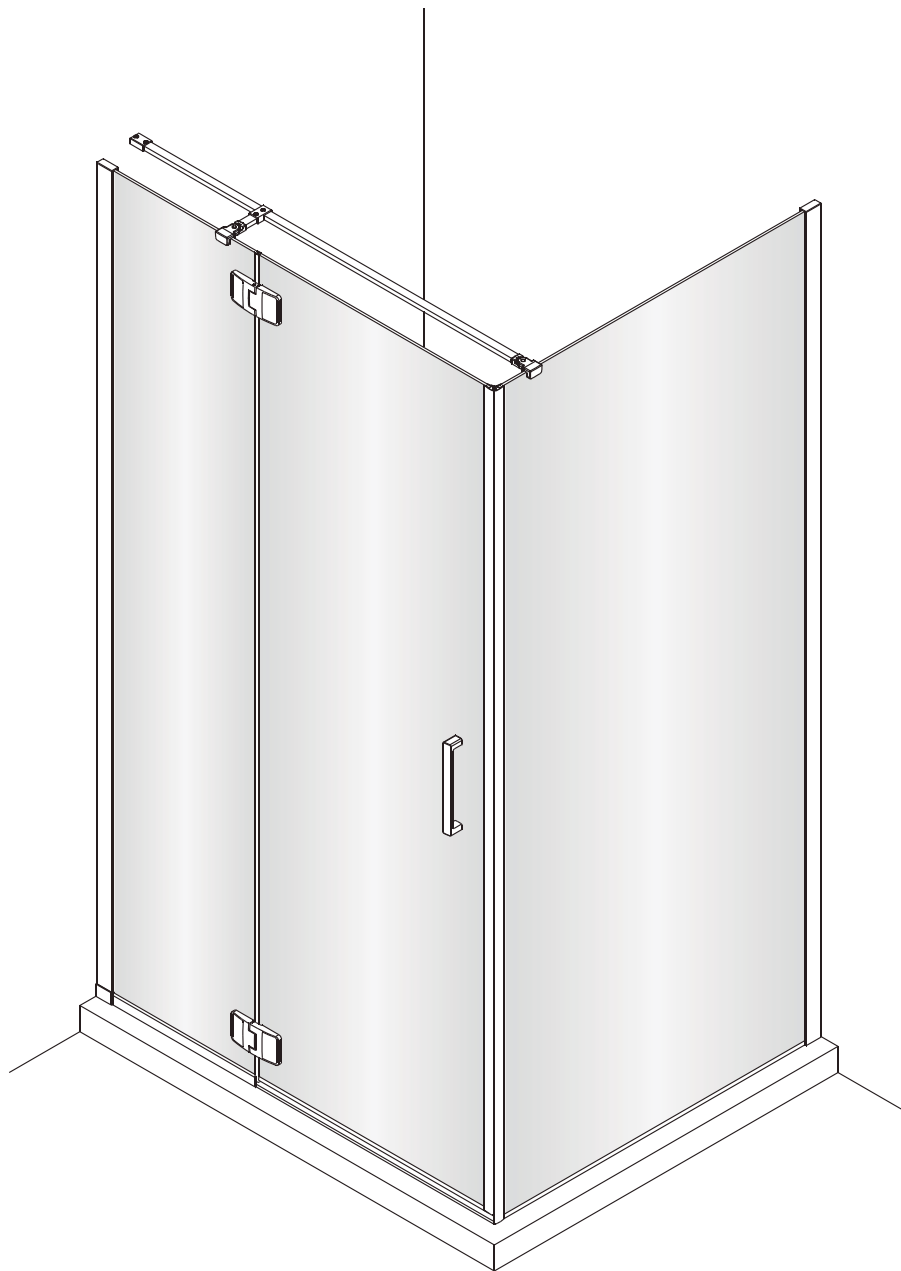




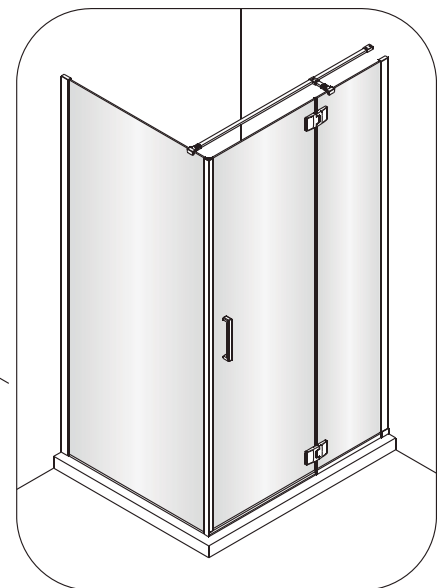
Produits Neptune

DESIGN AMÉLIORÉ
IMPROVED DESIGN

AZELIA 3636 - AZELIA 3642 - AZELIA 3248 - AZELIA 3648
AZELIA 3260 - AZELIA 3660
Guide d'installation / Installation manual



Gauche / Left



Droit / Right

6835, PICARD
SAINT-HYACINTHE (QUEBEC) J2S 1H3
CANADA

TELEPHONE : 450 773 7058
SANS FRAIS / TOLL FREE: 1 888 366 7058

produitsneptune.com

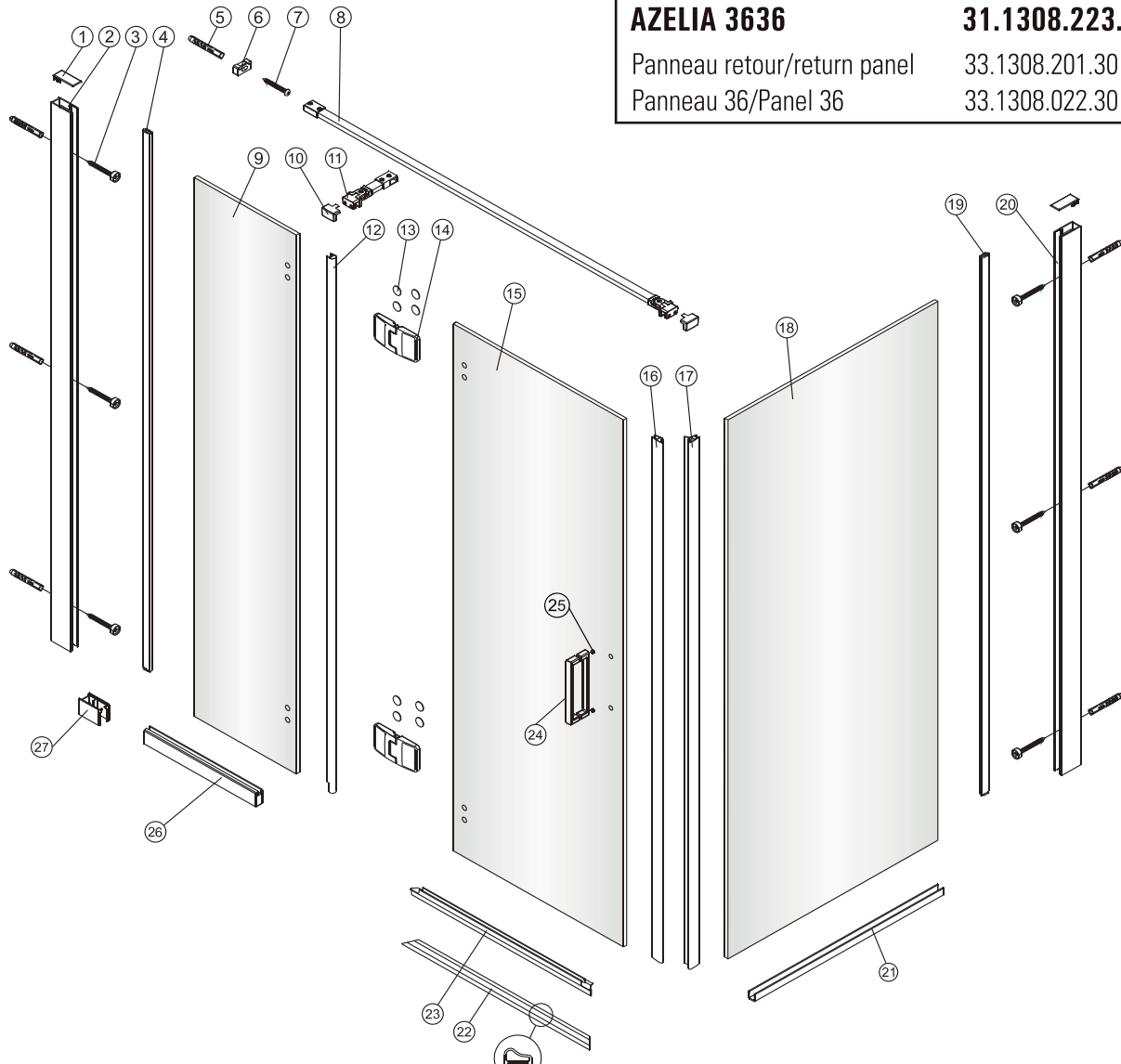
REV: 03-2021

AZELIA 3636

31.1308.223.30

Panneau retour/return panel
Panneau 36/Panel 36

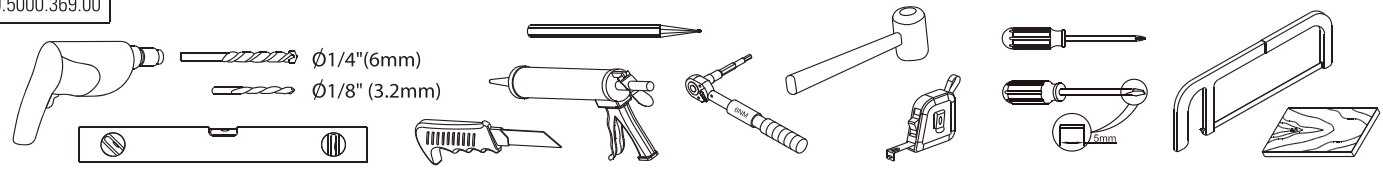
33.1308.201.30 Lot #1
33.1308.022.30 Lot #1



1 x2	2 x1	3 x6 ST4x60	4 x1	5 x7	6 x1	7 x1 ST4x60	8 x1	9 x1	10 x2
39.5000.342.60	39.2000.230.60	39.5000.359.00	39.3000.202.00	39.5000.360.00	39.5000.361.60	39.5000.362.00	39.5000.363.60	39.9000.221.00	39.5000.367.60
11 x1	12 x1	13 x8	14 x2	15 x1	16 x1	17 x1	18 x1	19 x1 L=1880	20 x1 L=1880
39.5000.368.60	39.3000.204.00	39.5000.341.00	39.5000.348.60	39.9000.219.00	39.3000.208.00		39.9000.230.00	39.3000.203.00	39.2000.231.60
21 x1	22 x1	23 x1	24 x1	25 x1	26 x1	27 x1 Gauche/Left	28 x1 Droit/Right	29 x1	30 x1 4mm
39.2000.229.60	39.2000.233.60	39.3000.205.00	39.6000.120.60	39.6000.119.60	39.2000.222.60	39.5000.350.60	39.5000.349.60	39.5000.275.00	39.5000.118.00

31 x1 2mm
39.5000.369.00

Matériel requis non-inclus/Required materials not included



AZELIA 3642

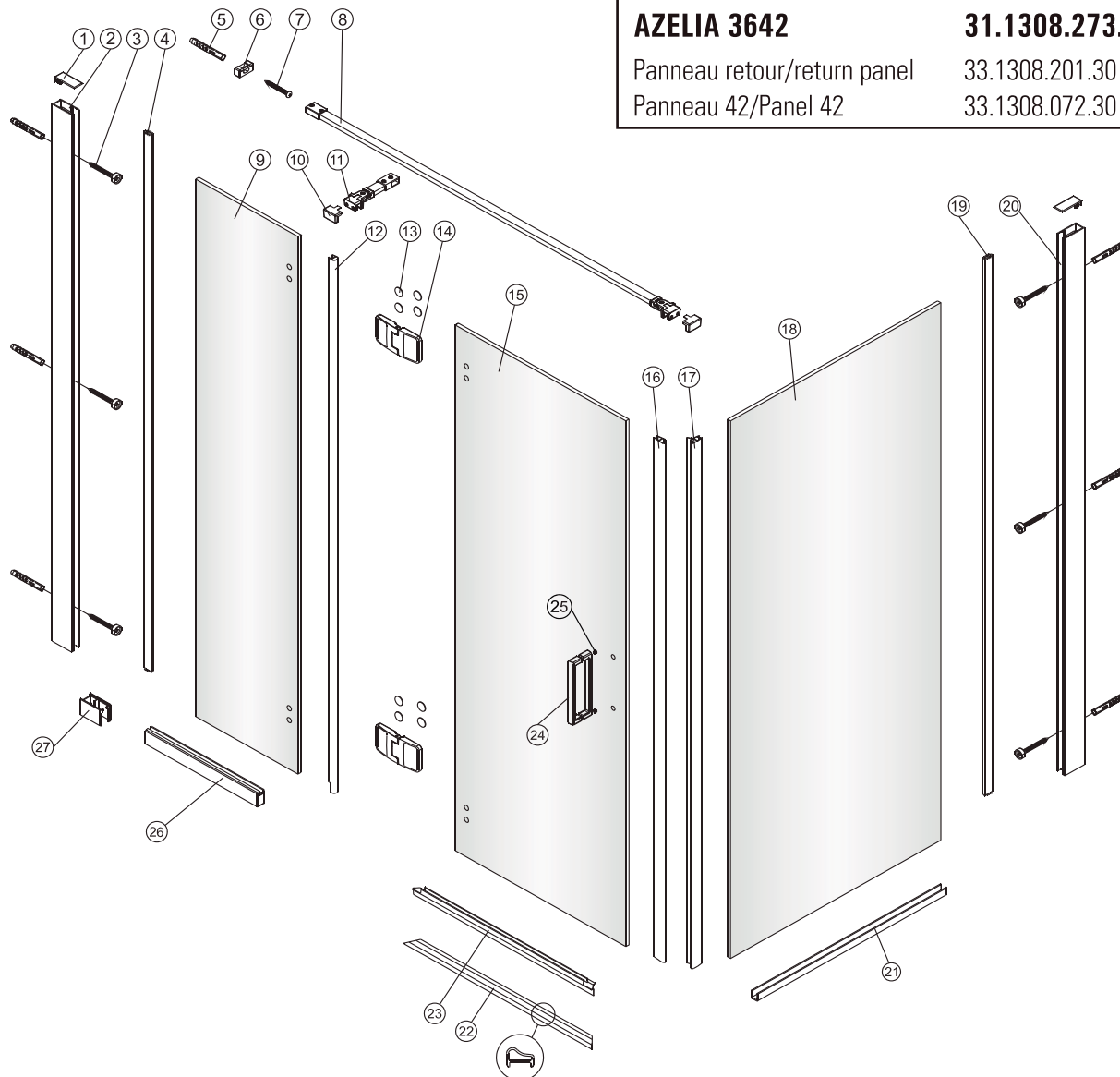
31.1308.273.30

Panneau retour/return panel

33.1308.201.30 Lot #1

Panneau 42/Panel 42

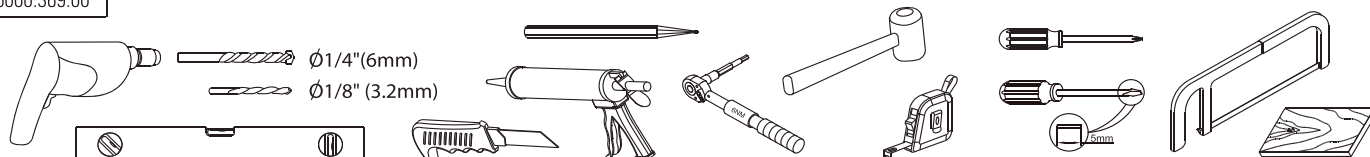
33.1308.072.30 Lot #1



1 x2 39.5000.342.60	2 x1 39.2000.230.60	3 x6 ST4x60 39.5000.359.00	4 x1 39.3000.202.00	5 x7 39.5000.360.00	6 x1 39.5000.361.60	7 x1 ST4x60 39.5000.362.00	8 x1 39.5000.364.60	9 x1 39.9000.223.00	10 x2 39.5000.367.60
11 x1 39.5000.368.60	12 x1 39.3000.204.00	13 x8 39.5000.341.00	14 x2 39.5000.348.60	15 x1 39.9000.219.00	16 x1 39.3000.208.00	17 x1 39.3000.208.00	18 x1 39.9000.230.00	19 x1 L=1880 39.3000.203.00	20 x1 L=1880 39.2000.231.60
21 x1 39.2000.229.60	22 x1 39.2000.233.60	23 x1 39.3000.205.00	24 x1 39.6000.120.60	25 x1 39.6000.119.60	26 x1 39.2000.224.60	27 x1 Gauche/Left 39.5000.350.60	28 x1 Droit/Right 39.5000.349.60	29 x1 39.5000.275.00	30 x1 4mm 39.5000.118.00

31 x1 2mm 39.5000.369.00

Matériel requis non-inclus/Required materials not included



AZELIA 3248

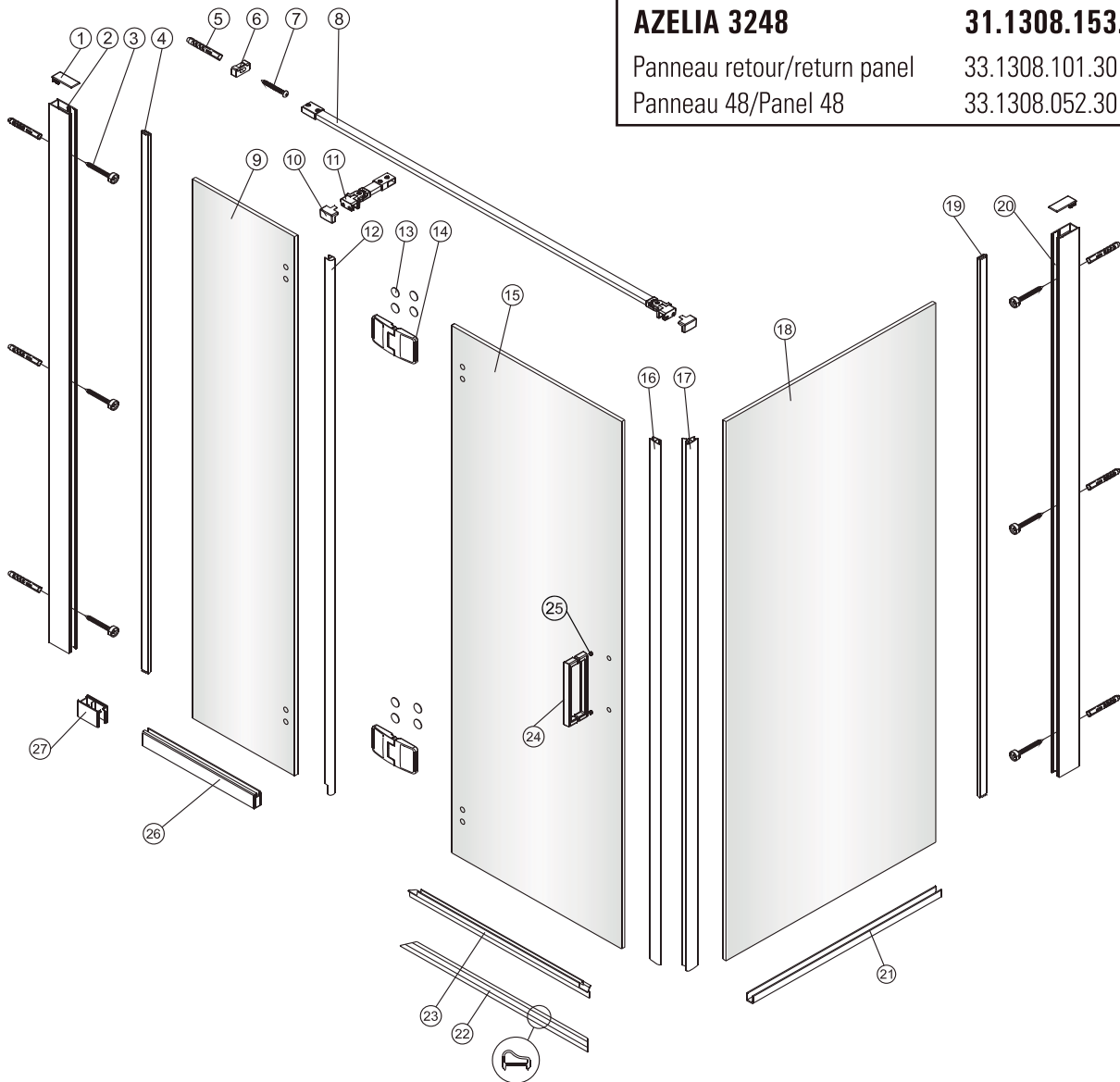
31.1308.153.30

Panneau retour/return panel

33.1308.101.30 Lot #1

Panneau 48/Panel 48

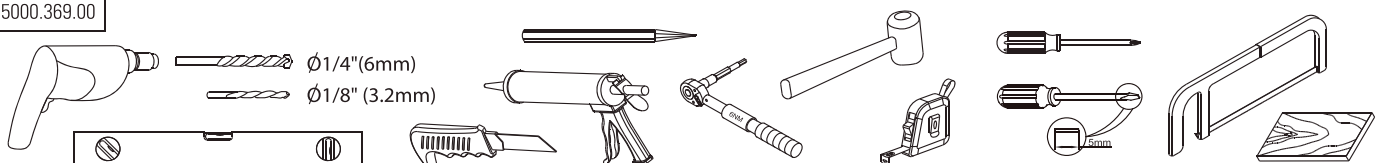
33.1308.052.30 Lot #1



1 x2	2 x1	3 x6 ST4x60	4 x1	5 x7	6 x1	7 x1 ST4x60	8 x1	9 x1	10 x2
39.5000.342.60	39.2000.230.60	39.5000.359.00	39.3000.202.00	39.5000.360.00	39.5000.361.60	39.5000.362.00	39.5000.365.60	39.9000.226.00	39.5000.367.60
11 x1	12 x1	13 x8	14 x2	15 x1	16 x1	17 x1	18 x1	19 x1 L=1880	20 x1 L=1880
39.5000.368.60	39.3000.204.00	39.5000.341.00	39.5000.348.60	39.9000.219.00	39.3000.208.00		39.9000.227.00	39.3000.203.00	39.2000.231.60
21 x1	22 x1	23 x1	24 x1	25 x1	26 x1	27 x1 Gauche/Left	28 x1 Droit/Right	29 x1	30 x1 4mm
39.2000.229.60	39.2000.233.60	39.3000.205.00	39.6000.120.60	39.6000.119.60	39.2000.226.60	39.5000.350.60	39.5000.349.60	39.5000.275.00	39.5000.118.00

31 x1 2mm
39.5000.369.00

Matériel requis non-inclus/Required materials not included

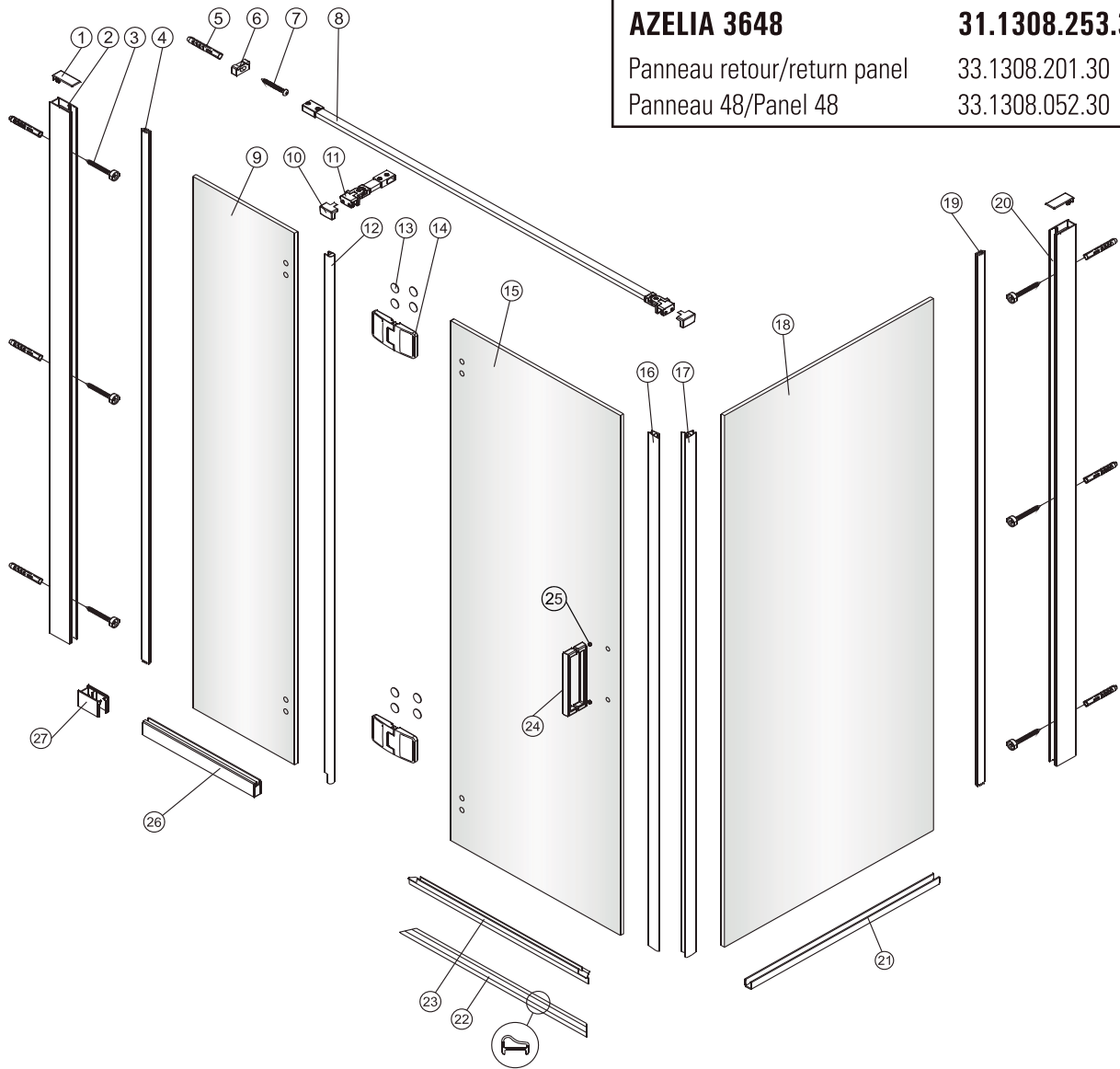


AZELIA 3648

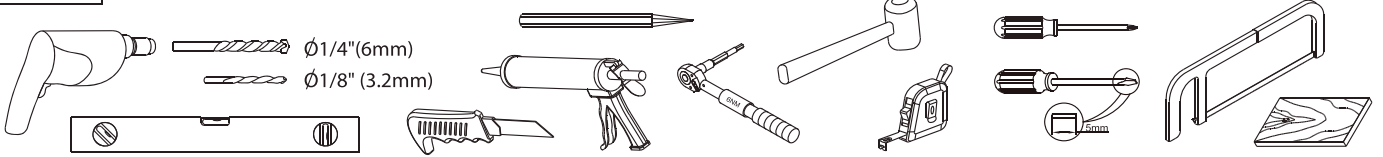
31.1308.253.30

Panneau retour/return panel
Panneau 48/Panel 48

33.1308.201.30 Lot #1
33.1308.052.30 Lot #1



1 x2	2 x1	3 x6 ST4x60	4 x1	5 x7	6 x1	7 x1 ST4x60	8 x1	9 x1	10 x2
39.5000.342.60	39.2000.230.60	39.5000.359.00	39.3000.202.00	39.5000.360.00	39.5000.361.60	39.5000.362.00	39.5000.365.60	39.9000.226.00	39.5000.367.60
11 x1	12 x1	13 x8	14 x2	15 x1	16 x1	17 x1	18 x1	19 x1 L=1880	20 x1 L=1880
39.5000.368.60	39.3000.204.00	39.5000.341.00	39.5000.348.60	39.9000.219.00	39.3000.208.00		39.9000.230.00	39.3000.203.00	39.2000.231.60
21 x1	22 x1	23 x1	24 x1	25 x1	26 x1	27 x1 Gauche/Left	28 x1 Droit/Right	29 x1	30 x1 4mm
39.2000.229.60	39.2000.233.60	39.3000.205.00	39.6000.120.60	39.6000.119.60	39.2000.226.60	39.5000.350.60	39.5000.349.60	39.5000.275.00	39.5000.118.00
31 x1 2mm	Matériel requis non-inclus/Required materials not included								
39.5000.369.00									

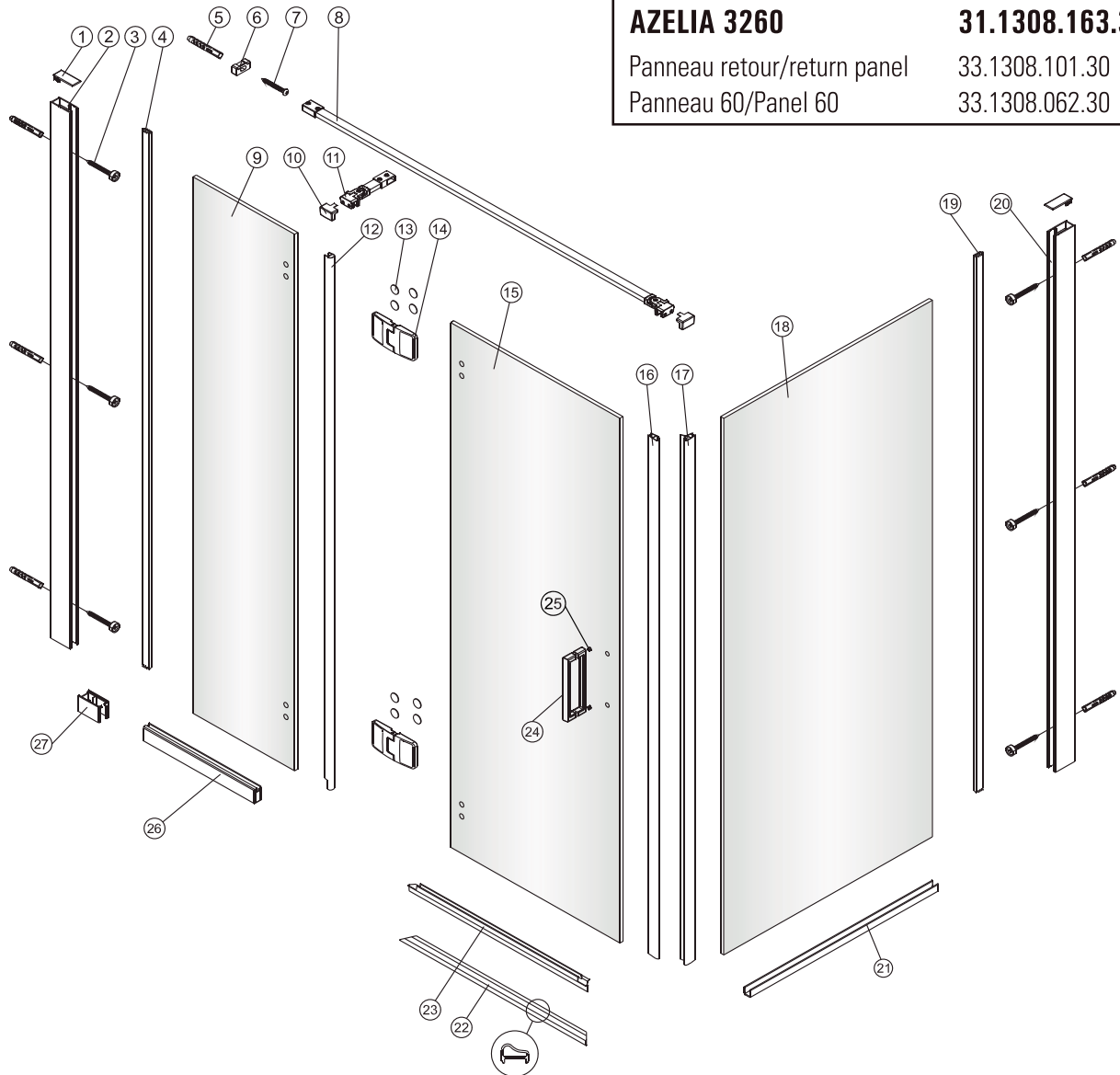


AZELIA 3260

31.1308.163.30

Panneau retour/return panel
Panneau 60/Panel 60

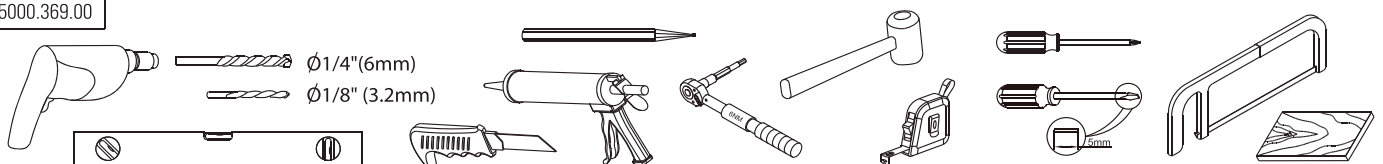
33.1308.101.30 Lot #1
33.1308.062.30 Lot #1



1 x2	2 x1	3 x6 ST4x60	4 x1	5 x7	6 x1	7 x1 ST4x60	8 x1	9 x1	10 x2
39.5000.342.60	39.2000.230.60	39.5000.359.00	39.3000.202.00	39.5000.360.00	39.5000.361.60	39.5000.362.00	39.5000.366.60	39.9000.229.00	39.5000.367.60
11 x1	12 x1	13 x8	14 x2	15 x1	16 x1	17 x1	18 x1	19 x1 L=1880	20 x1 L=1880
39.5000.368.60	39.3000.204.00	39.5000.341.00	39.5000.348.60	39.9000.231.00	39.3000.208.00		39.9000.227.00	39.3000.203.00	39.2000.231.60
21 x1	22 x1	23 x1	24 x1	25 x1	26 x1	27 x1 Gauche/Left	28 x1 Droit/Right	29 x1	30 x1 4mm
39.2000.229.60	39.2000.234.60	39.3000.206.00	39.6000.120.60	39.6000.119.60	39.2000.228.60	39.5000.350.60	39.5000.349.60	39.5000.275.00	39.5000.118.00

31 x1 2mm
39.5000.369.00

Matériel requis non-inclus/Required materials not included

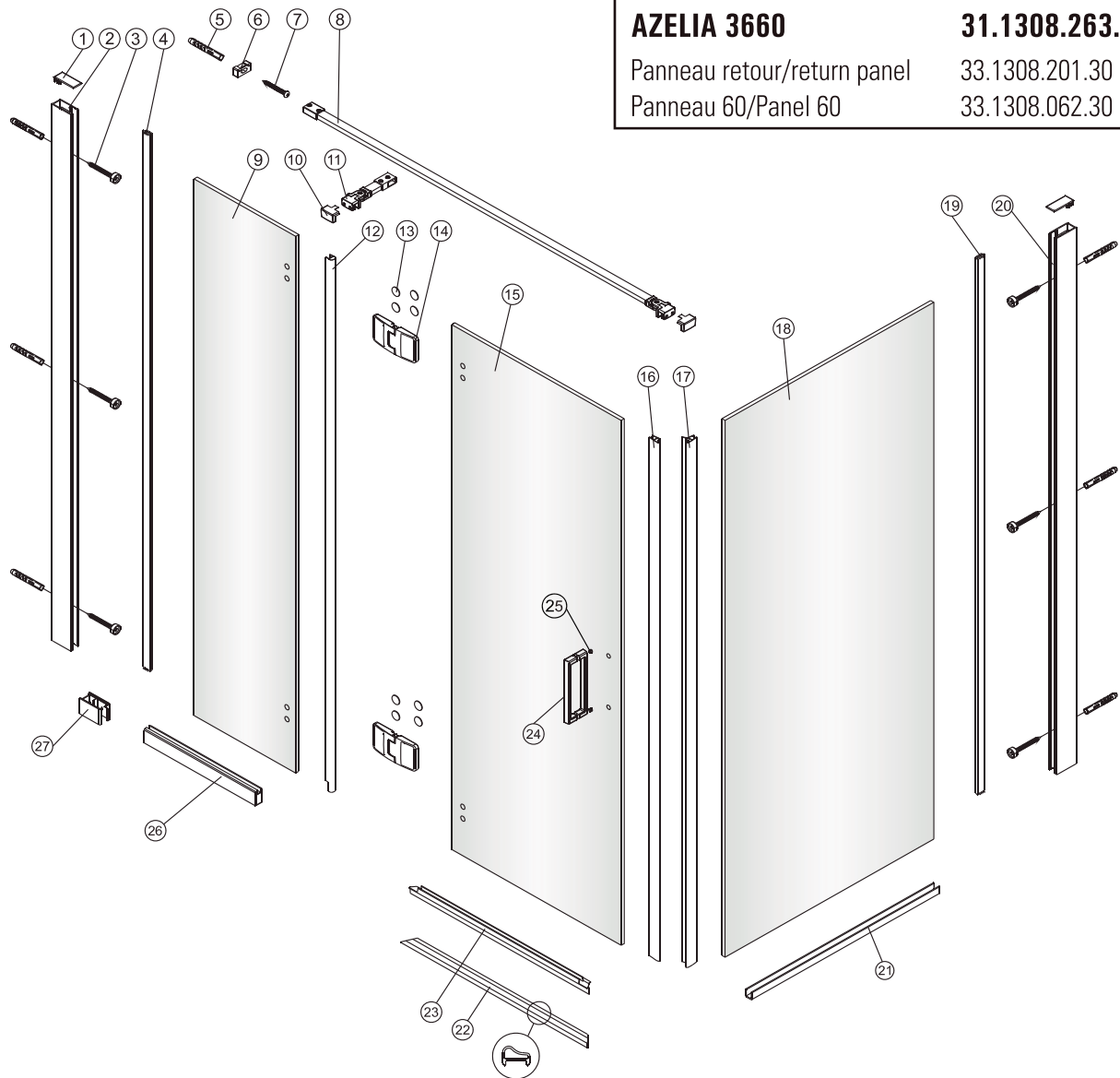


AZELIA 3660

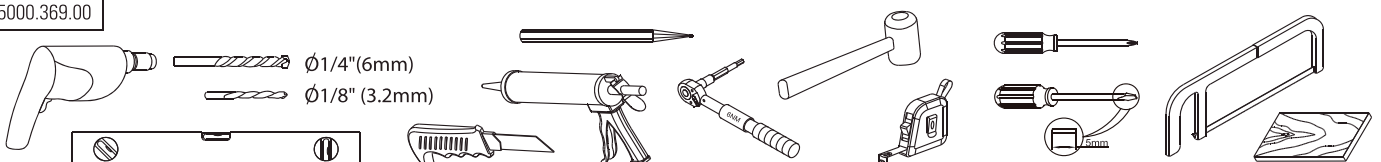
31.1308.263.30

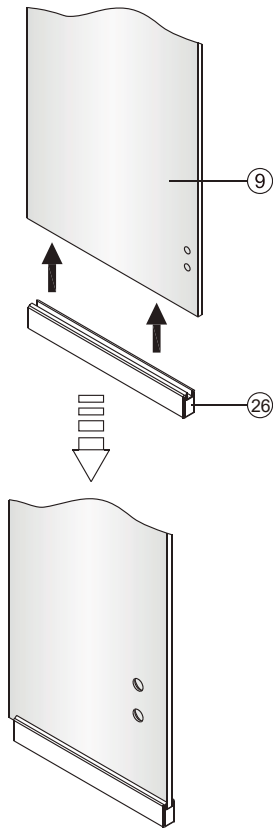
Panneau retour/return panel
Panneau 60/Panel 60

33.1308.201.30 Lot #1
33.1308.062.30 Lot #1



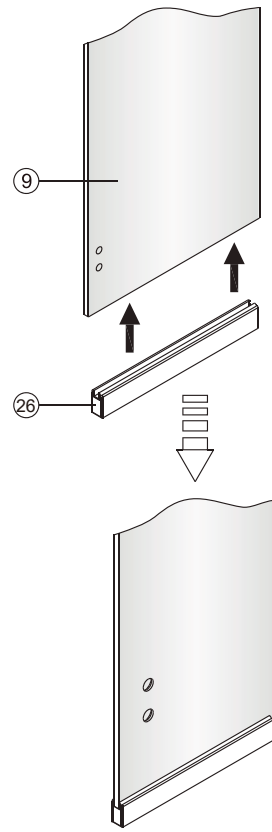
1 x2	2 x1	3 x6 ST4x60	4 x1	5 x7	6 x1	7 x1 ST4x60	8 x1	9 x1	10 x2
39.5000.342.60	39.2000.230.60	39.5000.359.00	39.3000.202.00	39.5000.360.00	39.5000.361.60	39.5000.362.00	39.5000.366.60	39.9000.229.00	39.5000.367.60
11 x1	12 x1	13 x8	14 x2	15 x1	16 x1	17 x1	18 x1	19 x1 L=1880	20 x1 L=1880
39.5000.368.60	39.3000.204.00	39.5000.341.00	39.5000.348.60	39.9000.231.00	39.3000.208.00		39.9000.230.00	39.3000.203.00	39.2000.231.60
21 x1	22 x1	23 x1	24 x1	25 x1	26 x1	27 x1 Gauche/Left	28 x1 Droit/Right	29 x1	30 x1 4mm
39.2000.229.60	39.2000.234.60	39.3000.206.00	39.6000.120.60	39.6000.119.60	39.2000.228.60	39.5000.350.60	39.5000.349.60	39.5000.275.00	39.5000.118.00
31 x1 2mm	Matériel requis non-inclus/Required materials not included								
39.5000.369.00									





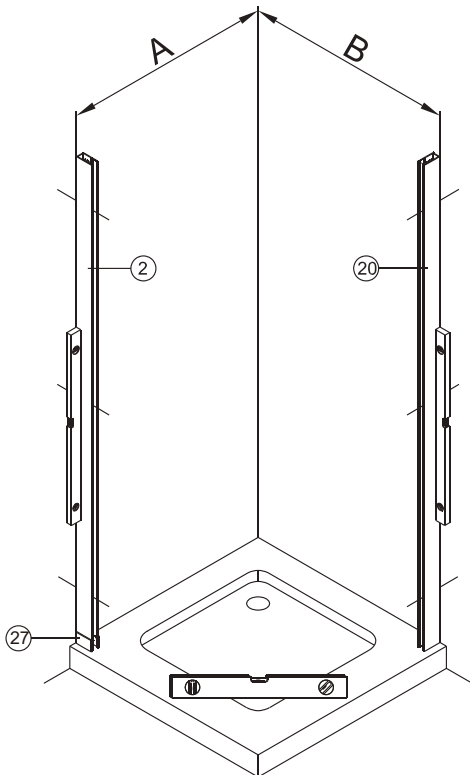
Gauche/Left

1



Droit/Right

2



2a

2b

2c

2d

2e

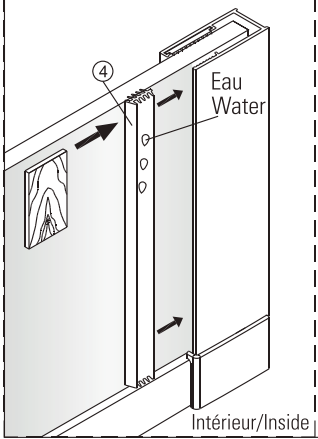
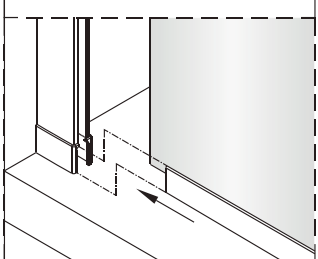
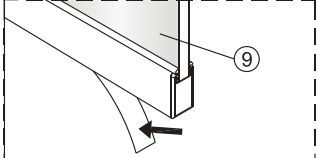
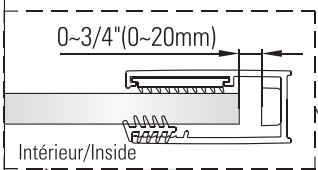
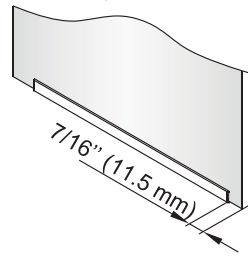
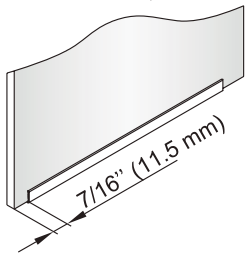
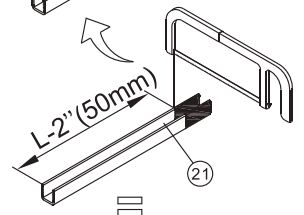
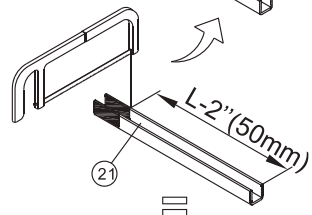
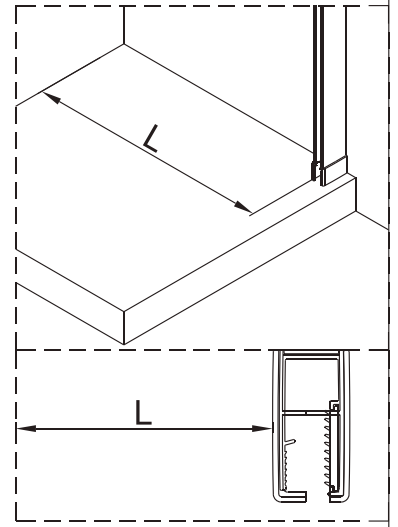
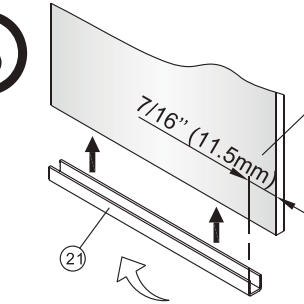
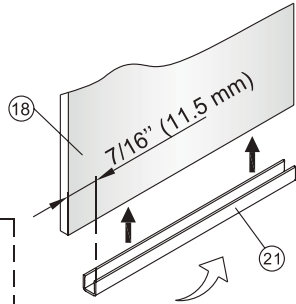
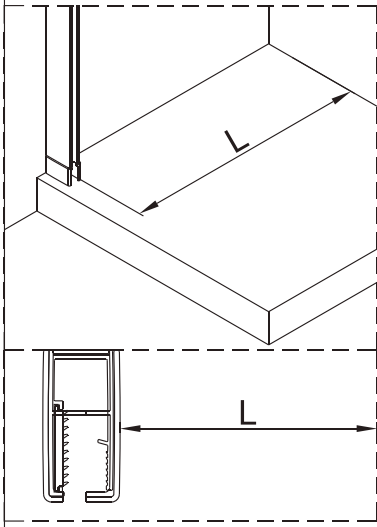
Modele / Model	A (mm) (pouces/inches)
AZELIA RET32	MIN 752 MAX 772 MIN 29 9/16 MAX 30 3/8
AZELIA RET36	MIN 854 MAX 874 MIN 33 9/16 MAX 34 3/8

Modele / Model	B (mm) (pouces/inches)
AZELIA PAN36	MIN 854 MAX 874 MIN 33 9/16 MAX 34 3/8
AZELIA PAN42	MIN 1006 MAX 1026 MIN 39 9/16 MAX 40 3/8
AZELIA PAN48	MIN 1158 MAX 1178 MIN 45 9/16 MAX 46 3/8
AZELIA PAN60	MIN 1463 MAX 1483 MIN 57 9/16 MAX 58 3/8

Gauche/Left

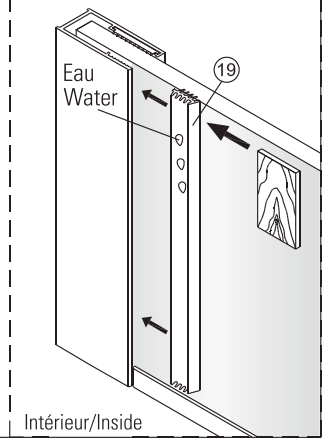
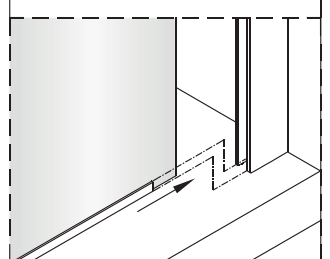
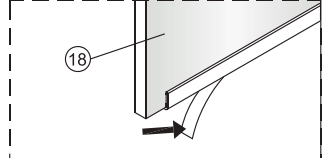
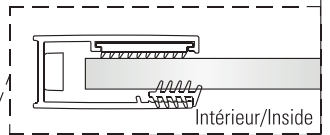
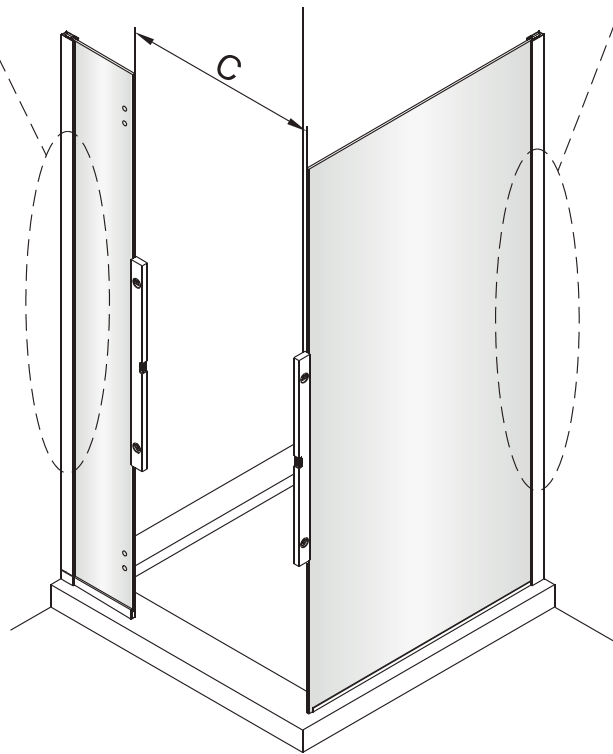
Droit/Right

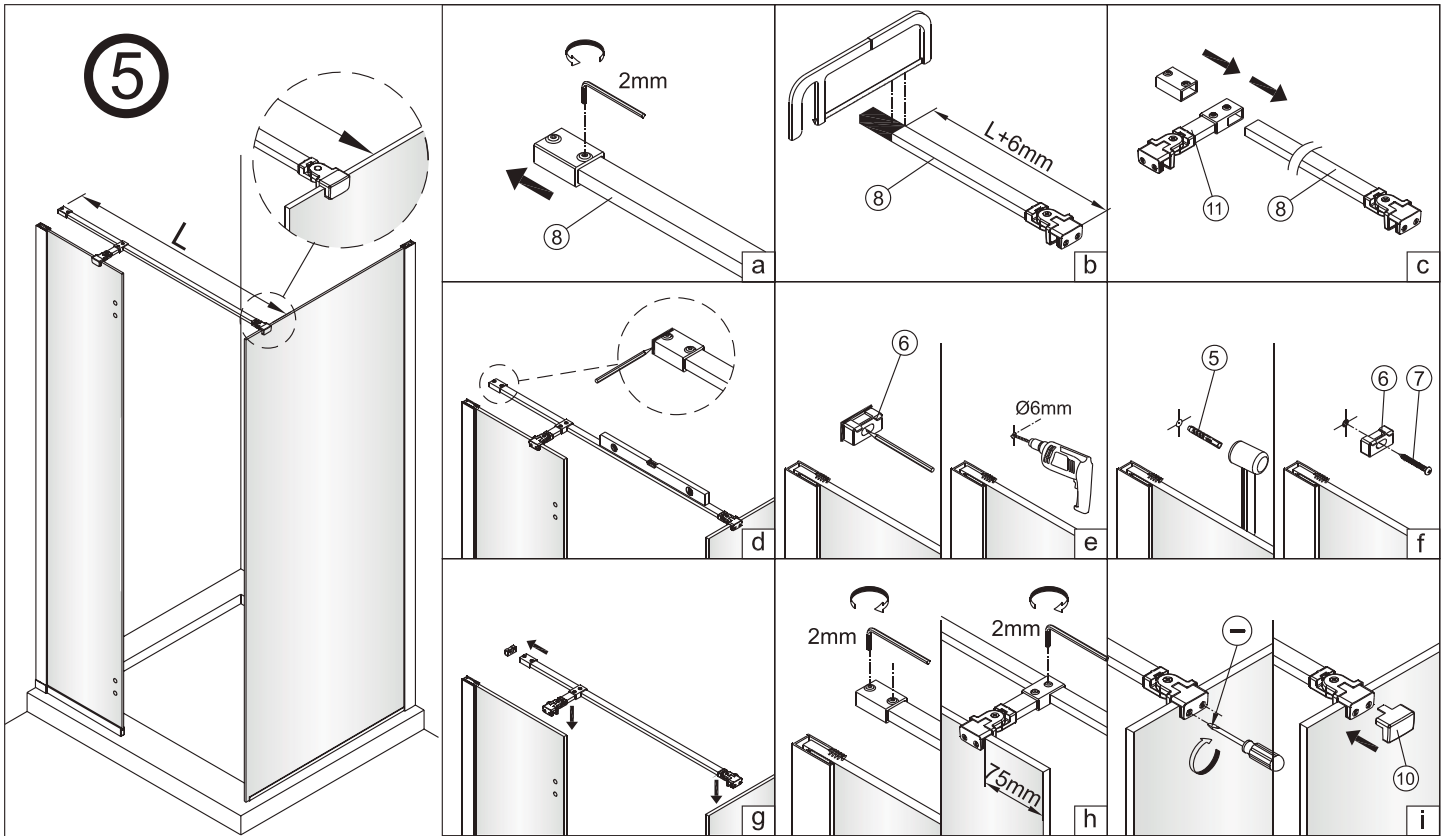
3



4

Modèle/Model	C (mm) (pouces/inches)
AZELIA PAN36	614 mm 24 3/16"
AZELIA PAN42	614 mm 24 3/16"
AZELIA PAN48	614 mm 24 3/16"
AZELIA PAN60	664 mm 26 1/8"

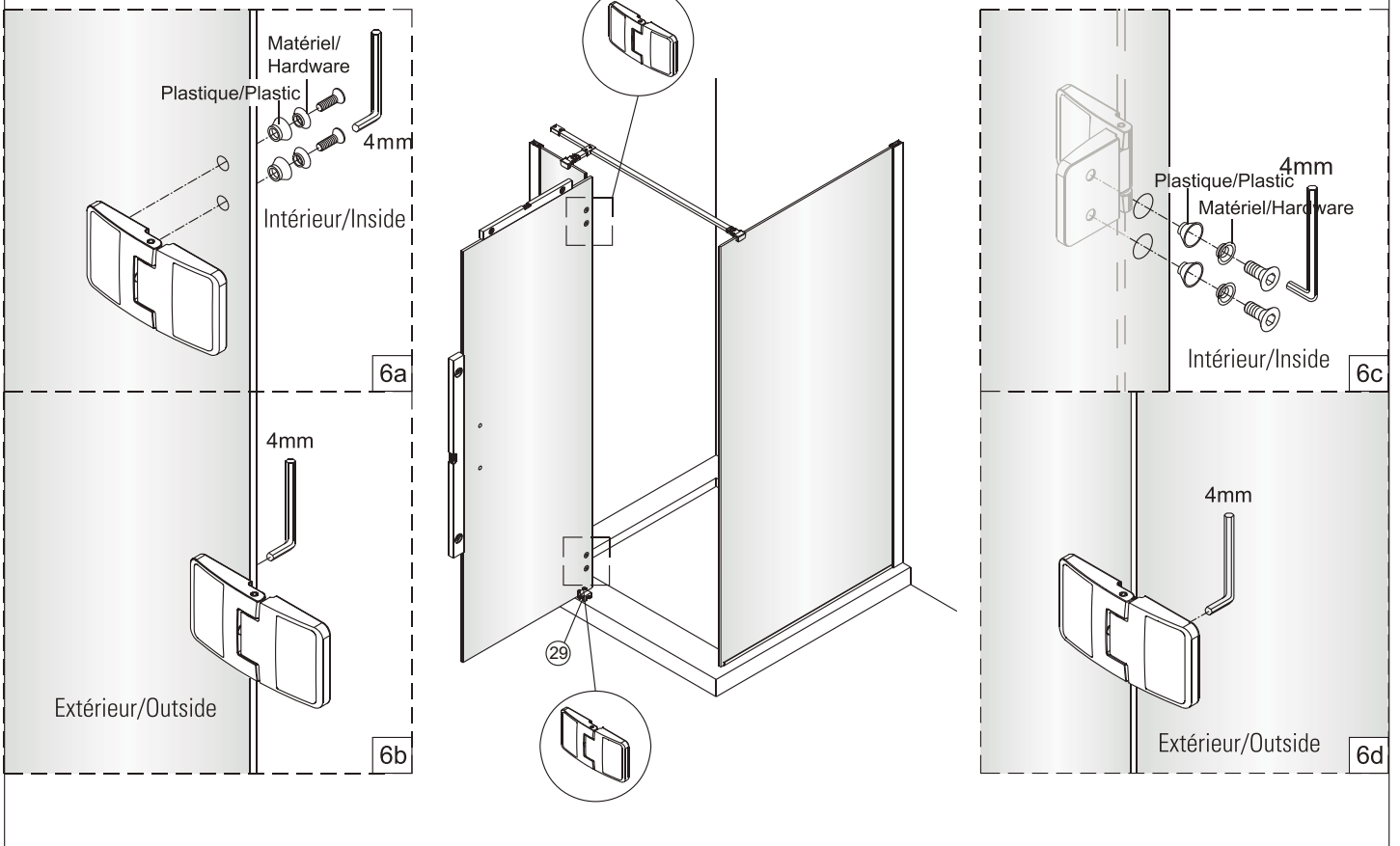




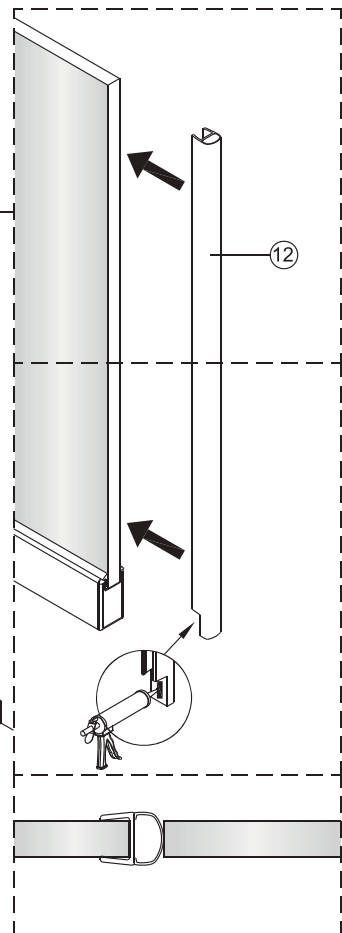
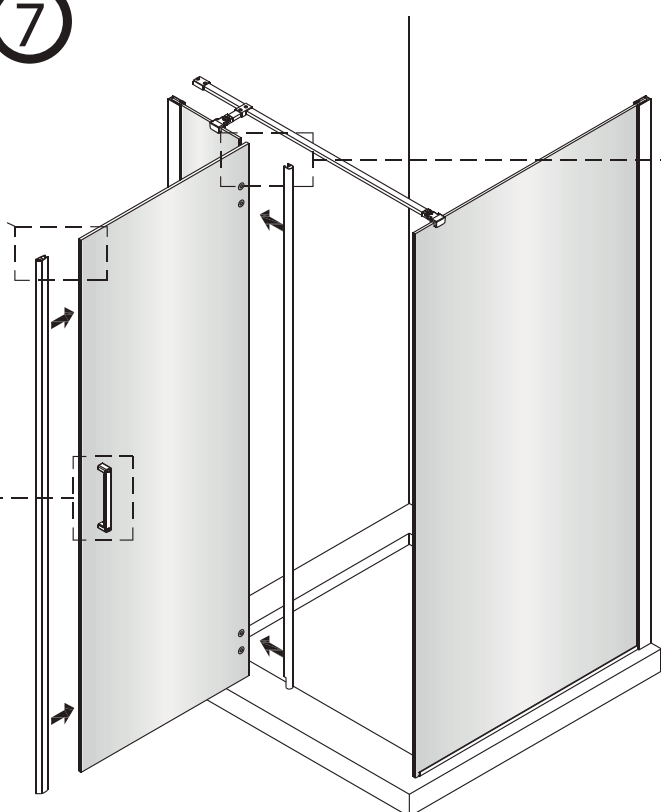
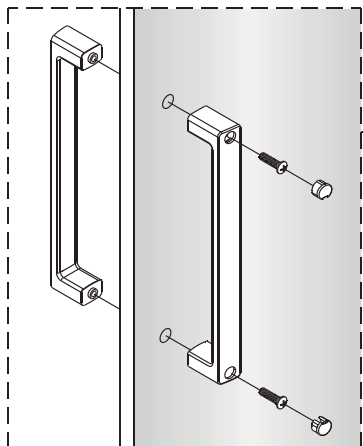
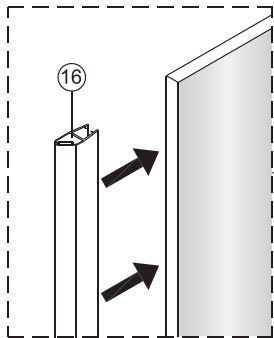
6



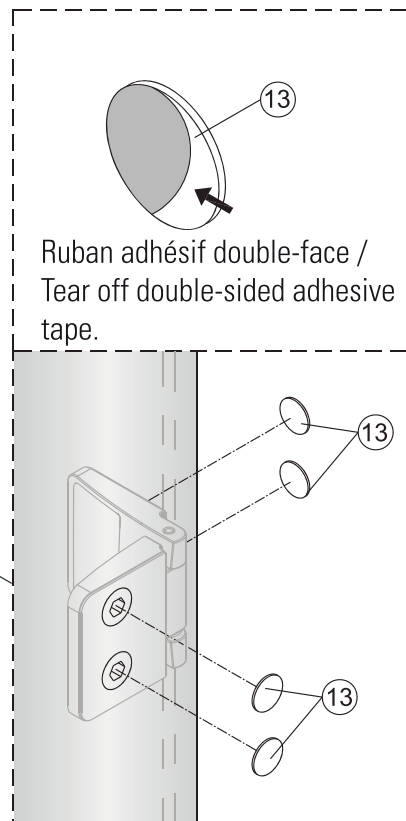
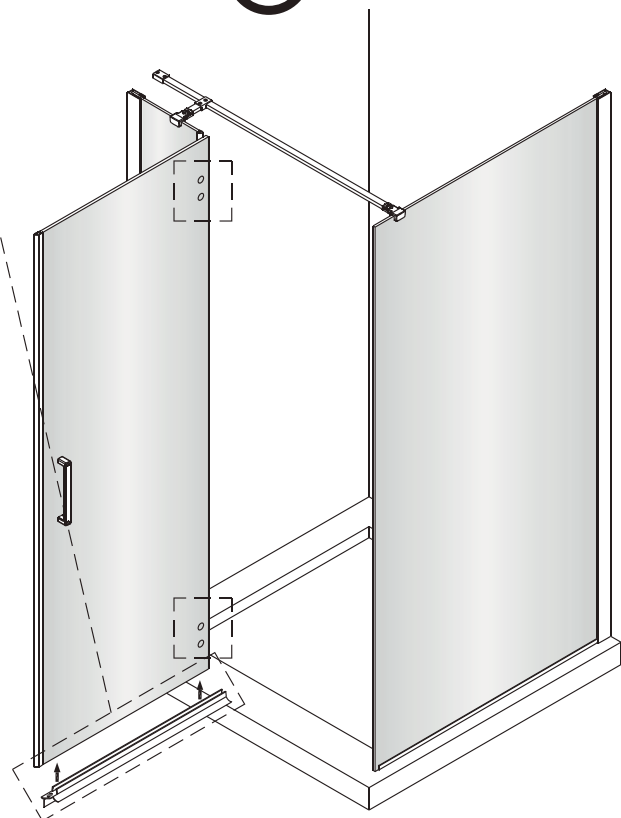
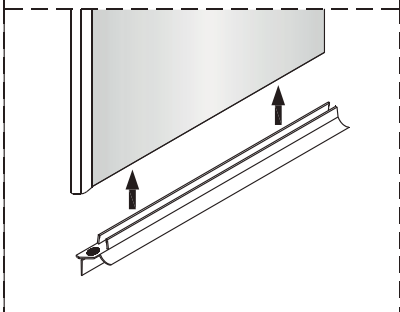
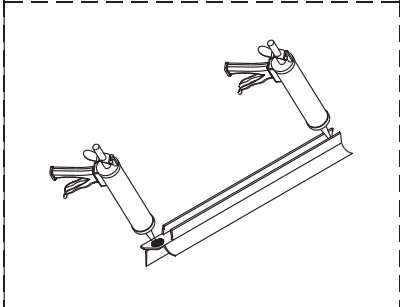
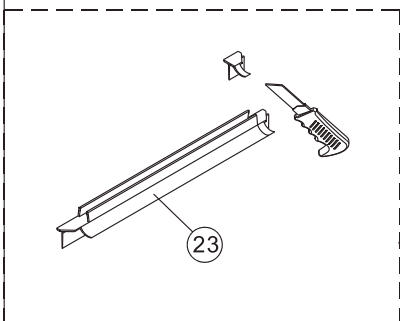
Tighten the screws with 4N.m



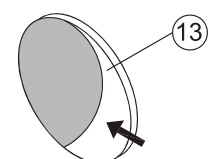
7



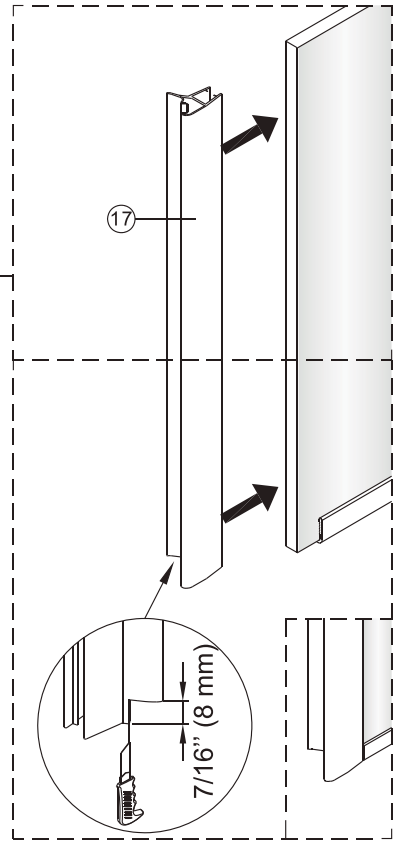
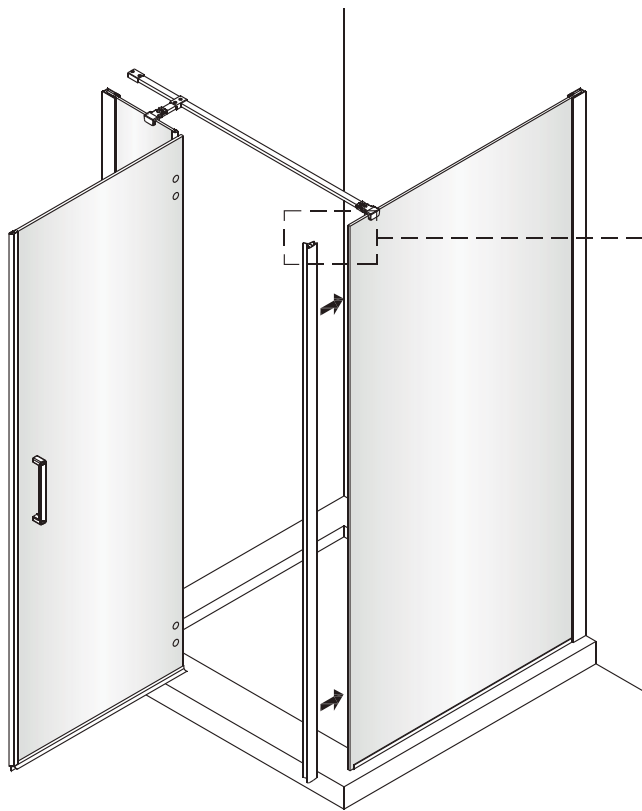
8



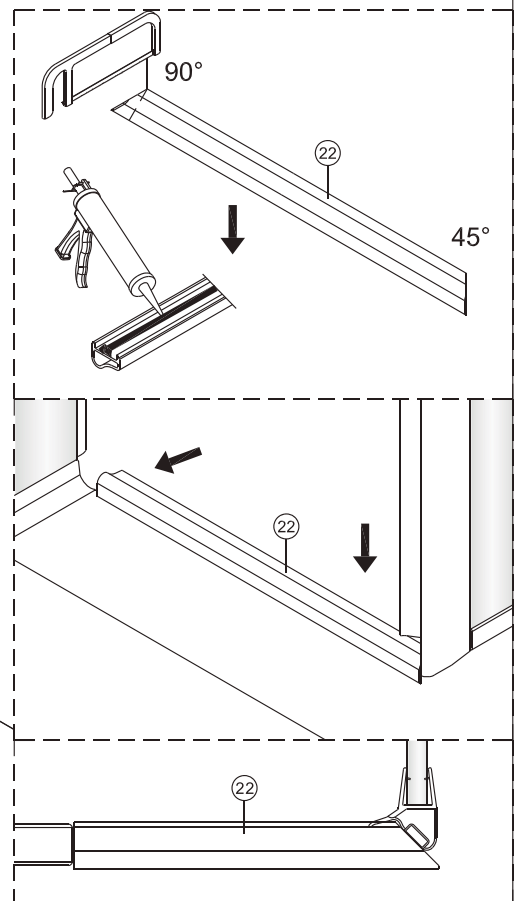
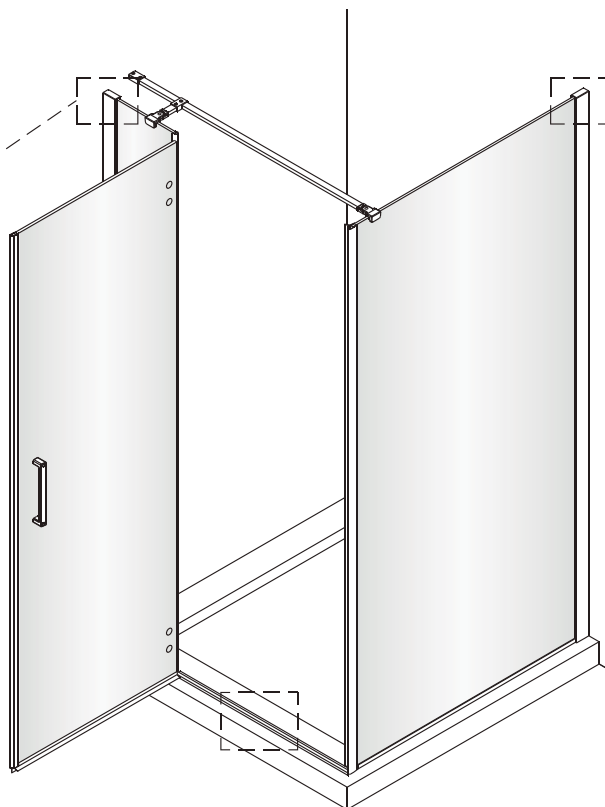
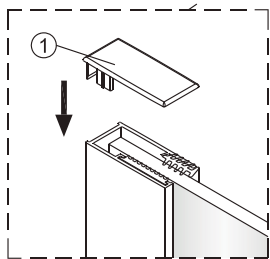
Ruban adhésif double-face /
Tear off double-sided adhesive
tape.



9



10



11

