

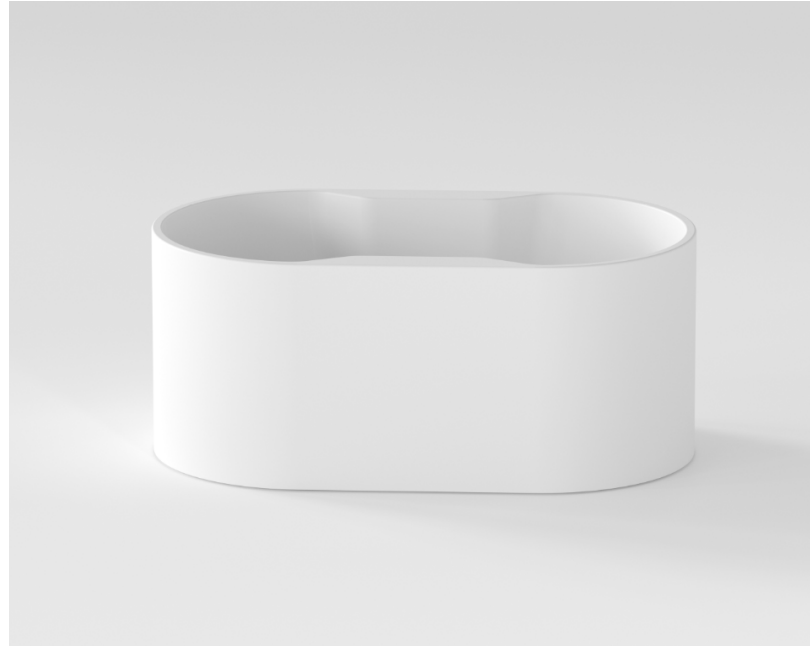
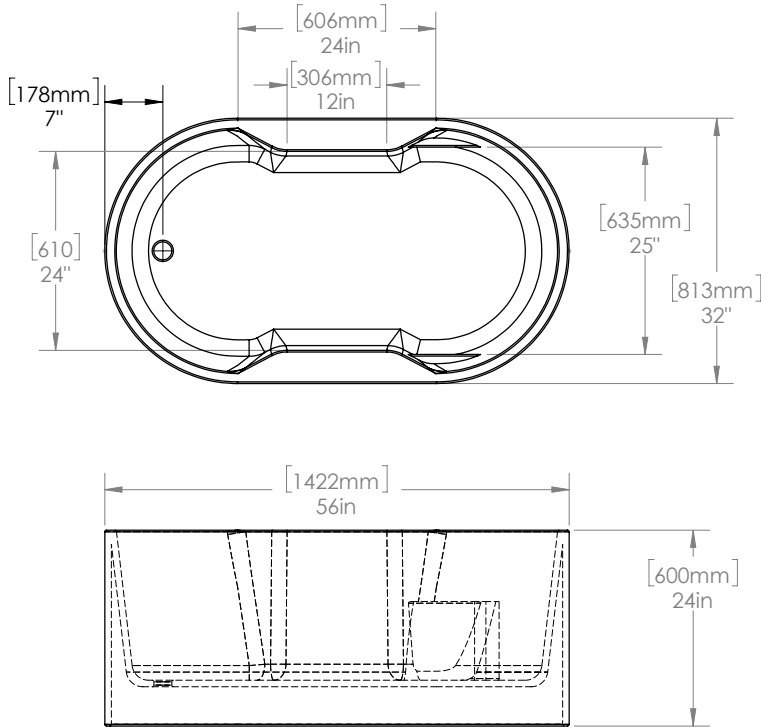
Bain Signature

7300 Rue Sherbrooke O,
Montréal, QC H4B 1R7
www.bainsignature.com

Model / Modèle:

VENUS

Freestanding bathtub
Baignoire autoportante



* Dimensions may vary +/- 1/4" (6mm) / Les dimensions peuvent varier de +/- 1/4" (6mm)

gallons to overflow /	63 gal.
packaging dimension /	59 x 34 x 26 in
approximated weight /	110 lbs
weight with water /	636 lbs
bathing well at sump /	44 x 25 in
bathing well at rim /	53 x 29 in

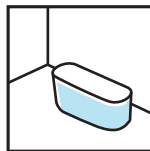


Compliance Certifications:

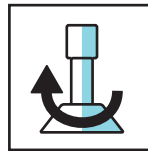
Uniform Plumbing Code
National Plumbing Code of Canada
CSA B45.5-17/IAPMO Z124-2017



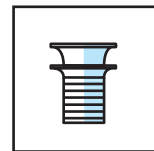
Pure acrylic construction reinforced by fiberglass
Construction en acrylique renforcée de fibre de verre



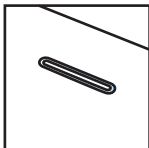
Freestanding installation
Installation autoportante



Adjustable feet
Pattes ajustables



Chrome drain included
Drain chrome inclus



Integrated chrome linear overflow
Trop plein linéaire chrome intégré



CUPC certified
Certifié CUPC