

Voir zittagroup.com pour la dernière version de ce document.
See zittagroup.com for latest version of this document.

Caldara 36"
Caldara 42"
Caldara 48"
Caldara 54"
Caldara 60"
32" Retour / Return
36" Retour / Return
Caldara 43 Optix
Caldara 55 Solva

ZITTACLEAN

Le micro film protecteur formé lors de son application, fera perler l'eau sur le verre afin d'en faciliter l'entretien.

The micro protective layer formed during its application will make the water bead along the glass for easy maintenance.

L'ENTRETIEN DE VOTRE DOUCHE

Ne jamais utiliser de poudre ou de tampon à r é curer .Il suffit de nettoyer la porte avec une solution d'eau et vinaigre, 1 pour 5.Vous pouvez utiliser un d é tergent doux, mais aucun produit à base d'ammoniaque cela pourrait endommager la surface de la vitre.

THE MAINTENANCE OF YOUR SHOWER

Never use of powder or scouring pads. Simply clean the door with a solution of water and vinegar, 1 to 5. You can use a mild detergent but never use ammoniac, it could damage the glass surface.

PORTE REVERSIBLE

La porte doit ê tre du m ê me c ô t é que le panneau de retour.

The door must be the same side as the side pannel.

REVERSIBLE DOOR

Les instructions montr é s au manuel sont pour le montage de la porte droite.

The instructions shown in the manual is for the installation of the right door.



ACRYLINE

Tel: 1-855-492-4242 450-704-2323

Fax: 1-866-735-6885

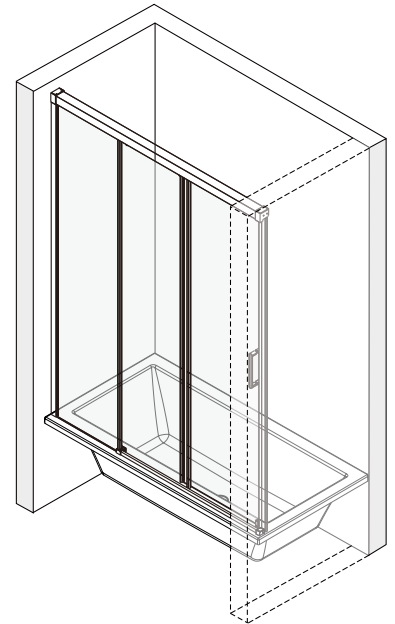
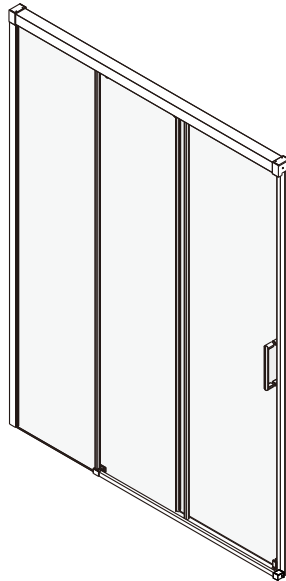
Info@zittagroup.com

www.zittagroup.com

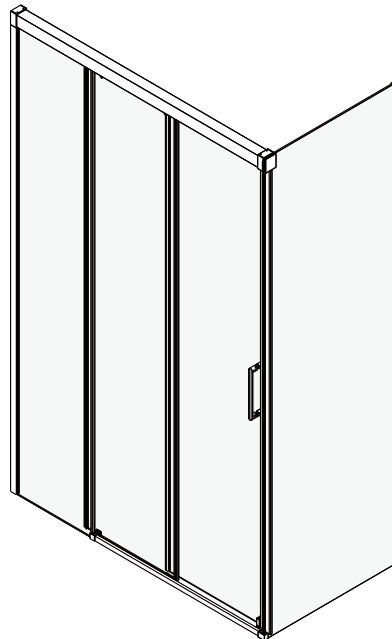
81, Theodore-Viau, Terrebonne,
Quebec, Canada, J6Y 0J8

Update: 20240620

Section A



Section B



MANUEL D'INSTALLATION / INSTALLATION MANUAL

IMPORTANT

- Inspecter le produit avant de procéder à l'installation.
- La garantie sera invalide si le produit a été installé avec des défauts apparents.

ATTENTION

- Lors de l'installation, l'application de silicone doit être à l'extérieur de la douche, car si appliqué à l'intérieur, cela peut causer des fuites d'eau !
- Veuillez lire attentivement ce manuel d'instruction avant de commencer l'installation.
- Conserver ce manuel pour référence ultérieure.

IMPORTANT

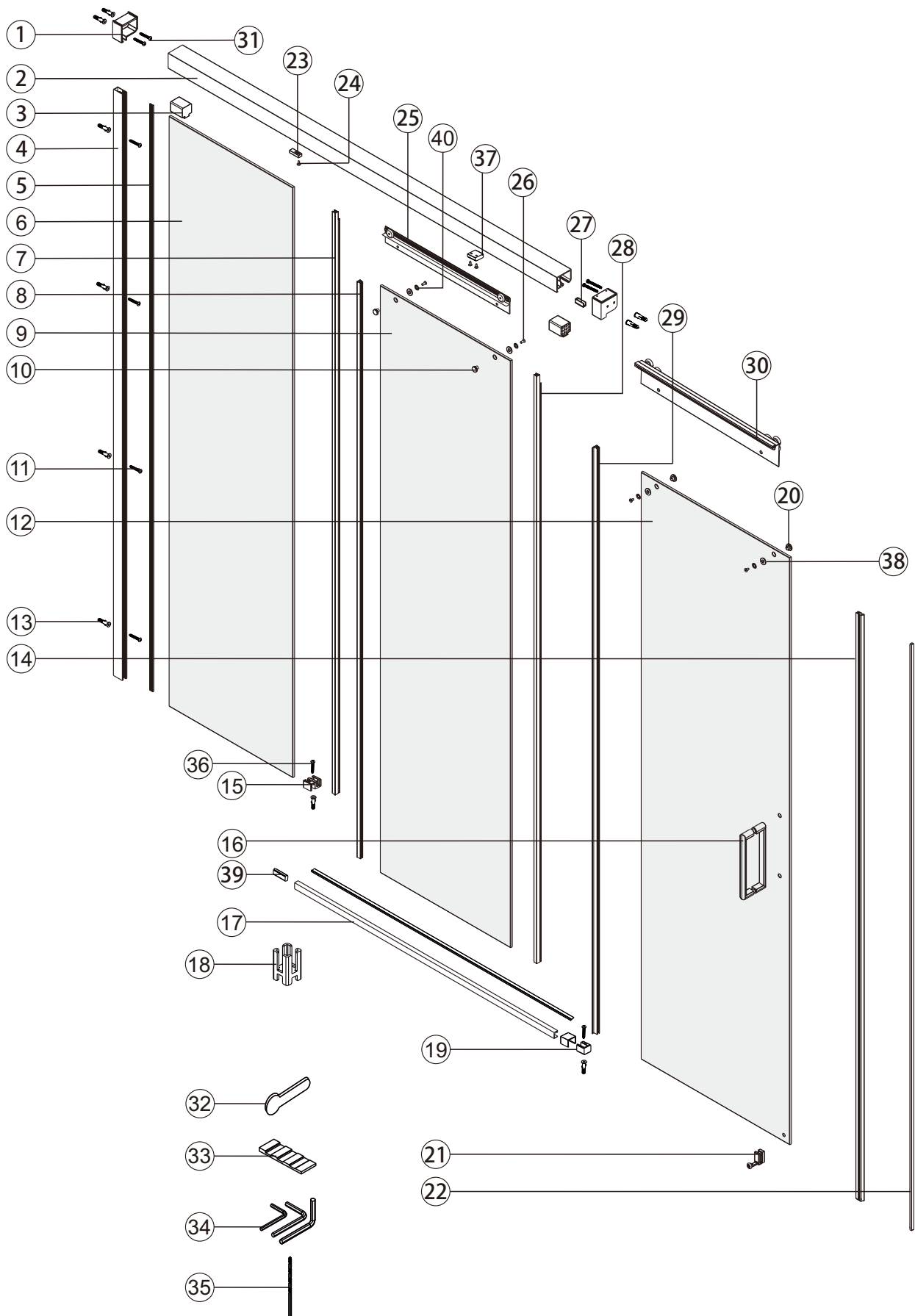
- Thoroughly inspect your product before proceeding with the installation.
- The warranty will be void if the product is installed with a conspicuous defect.

CAUTION

- To prevent leaks, silicone must be applied on the outside of the shower and not on the inside!
- Read all instructions carefully before starting the installation.
- Save this manual for future reference.

www.zitta.ca

CONTENU / PARTS LIST



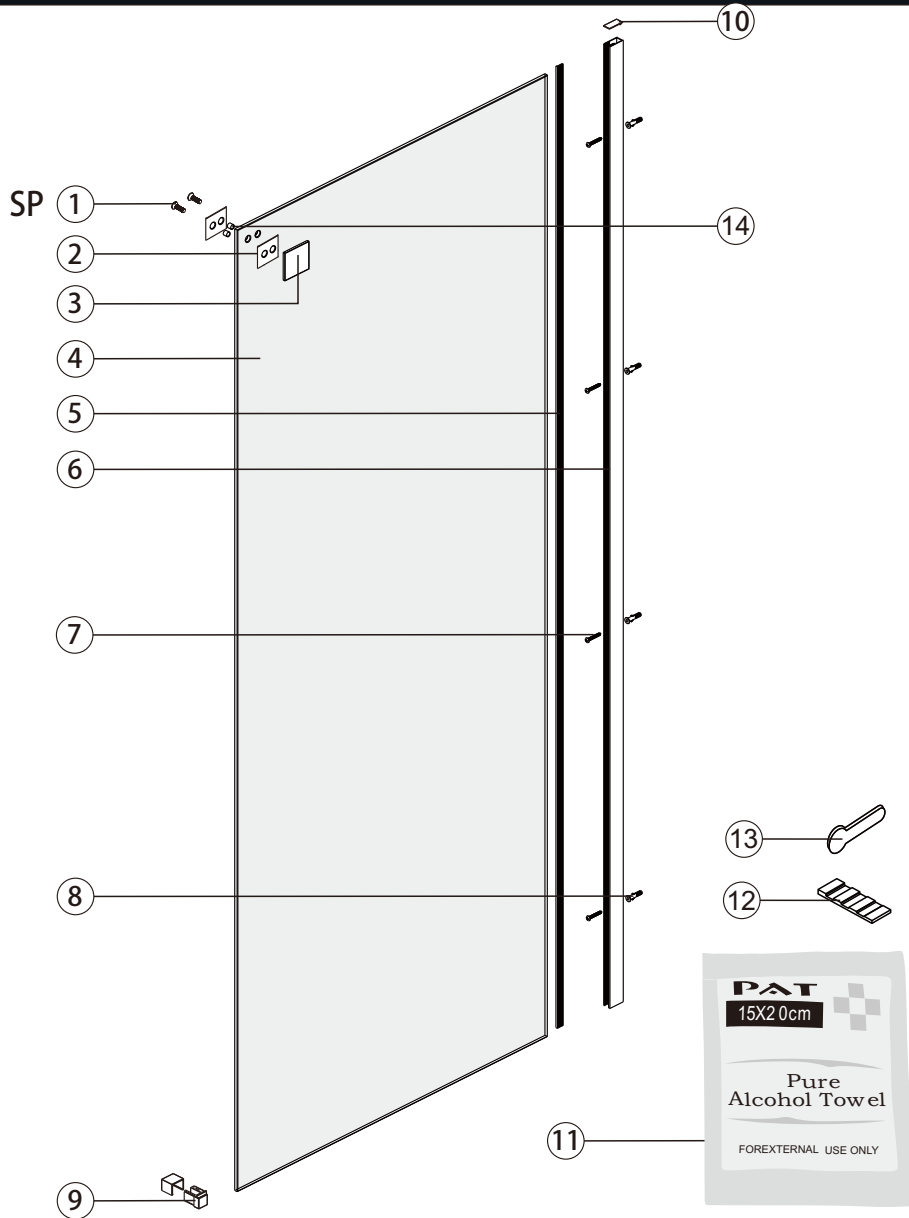
CONTENU / PARTS LIST

| Numéro No | Qté Qty | Description anglais | 36" code | 42" code | 43" code 70" | 48" code |
|-----------|---------|---|----------|----------|--------------|----------|
| 1A | 1 | Ancrage chrome pour barre de roulement gauche Chrome wall bracket for rolling bar left | PQ022602 | PQ022602 | PQ022602 | PQ022602 |
| 1B | 1 | Ancrage chrome pour barre de roulement droite Chrome wall bracket for rolling bar right | PQ022702 | PQ022702 | PQ022702 | PQ022702 |
| 2 | 1 | Barre de roulement Chrome rolling bar | PQ022802 | PQ022902 | PQ034202 | PQ023002 |
| 3 | 2 | Amortisseur de roulette Roller bumper | PQ023299 | PQ023299 | PQ023299 | PQ023299 |
| 4 | 1 | Extrusion murale Chrome Chrome Wall Chanel | PA004002 | PA004002 | PA006302 | PA004002 |
| 5 | 1 | Joint de serrage Squeeze gasket | PJ008010 | PJ008010 | PJ008010 | PJ008010 |
| 6 | 1 | Panneau fixe clair Clear Fixe panel | PG011120 | PG011220 | PG016020 | PG011320 |
| 7 | 1 | Joint panneau fixe Gasket for fixed panel (Have Cut) | PJ008110 | PJ008110 | PJ014010 | PJ008110 |
| 8 | 1 | Joint panneau du centre Gasket for door panel | PJ008210 | PJ008210 | PJ014110 | PJ008210 |
| 9 | 1 | Vitre du milieu Clear sliding panel in middle | PG011620 | PG011720 | PG016120 | PG011820 |
| 10 | 2 | Ancrage de fixation de vitre Fixing part | PQ023302 | PQ023302 | PQ023302 | PQ023302 |
| 11 | 5 | Vis 8 X 1 5/8 " tete plate flat head screw 8 X 1 5/8 " | PV000299 | PV000299 | PV000299 | PV000299 |
| 12 | 1 | Porte clair Clear door panel | PG012120 | PG012220 | PG016220 | PG012320 |
| 13 | 10 | Cheville murale Wall anchor | PV000199 | PV000199 | PV000199 | PV000199 |
| 14 | 1 | Aimant A Magnet gasket A | PJ003110 | PJ003110 | PJ014210 | PJ003110 |
| 15 | 1 | Ancrage chrome d'anti éclaboussure de panneau fixe Chrome Fix panel bracket for backsplash | PQ023402 | PQ023402 | PQ023402 | PQ023402 |
| 16 | 1 | Poigné chrome Chrome handle | PP000302 | PP000302 | PP000302 | PP000302 |
| 17 | 1 | Anti éclaboussure chrome Chrome back splash | PQ023502 | PQ023602 | PQ034302 | PQ023702 |
| 18 | 2 | Outil pour installation de vitre Installation tool | PT002199 | PT002199 | PT002199 | PT002199 |
| 19 | 1 | Ancrage chrome d'anti éclaboussure mural Chrome mural bracket for backsplash | PQ023902 | PQ023902 | PQ023902 | PQ023902 |
| 20 | 2 | Ancrage de fixation de vitre excentrique Eccentric fixing part | PQ024002 | PQ024002 | PQ024002 | PQ024002 |
| 21 | 1 | Roulette Roller for clear door panel | PR000902 | PR000902 | PR000902 | PR000902 |
| 22 | 1 | Aimant B collant Magnet B adhesive | PJ003210 | PJ003210 | PJ014310 | PJ003210 |
| 23 | 1 | Ancrage panneau fixe en haut Fixing part for fixed panel | PQ024102 | PQ024102 | PQ024102 | PQ024102 |
| 24 | 3 | VIS 8 X 5/8 Screw 8 X 5/8 | PV001399 | PV001399 | PV001399 | PV001399 |
| 25 | 1 | Barre de roulement pour vitre du centre Insert rolling bar for sliding panel in middle | PQ024202 | PQ024302 | PQ034402 | PQ024402 |
| 26 | 5 | Vis mécanique en V M5 x 12 Machine screw V M5 x 12 | PV003899 | PV003899 | PV003899 | PV003899 |
| 27 | 1 | Cap pour ancrage de barre Cap for wall bracket | PQ024602 | PQ024602 | PQ024602 | PQ024602 |
| 28 | 1 | Joint panneau du centre long Gasket for door panel (Long) | PJ008310 | PJ008310 | PJ014410 | PJ008310 |
| 29 | 1 | Joint de porte court Gasket for door panel (Short) | PJ008410 | PJ008410 | PJ014510 | PJ008410 |
| 30 | 1 | Barre de roulement pour porte coulissante Insert rolling bar for door panel | PQ024702 | PQ024802 | PQ034502 | PQ024902 |
| 31 | 4 | Vis 10 X 1 5/8 " tête en V Flat head screw 10 X 1 5/8 " | PV002799 | PV002799 | PV002799 | PV002799 |
| 32 | 1 | Outil pour joint de serrage Installation tool | PT000399 | PT000399 | PT000399 | PT000399 |
| 33 | 2 | Support d'installation pour vitre Wedge Spacers | PT000199 | PT000199 | PT000199 | PT000199 |
| 34 | 3 | Kit de clé Allen 2.5mm & 4.0mm 2.5mm & 4.0mm Allen key kit | PT002899 | PT002899 | PT002899 | PT002899 |
| 35 | 1 | Foret 1/8 Drill bit Ø3.0 | PT002299 | PT002299 | PT002299 | PT002299 |
| 36 | 1 | Vis en V 8 x 1 Flat screw 8 x 1 | PV001899 | PV001899 | PV001899 | PV001899 |
| 37 | 1 | Anti jump Anti-jumper | PQ025199 | PQ025199 | PQ025199 | PQ025199 |
| 38 | 4 | Rondelle pour vis de vitre Washer for glass screw | PQ025202 | PQ025202 | PQ025202 | PQ025202 |
| 39 | 1 | Amortisseur de roulette du bas Bumper for bottom roller | PQ025699 | PQ025699 | PQ025699 | PQ025699 |
| 40 | 4 | Rondelle plate Flat washer metal | PV003799 | PV003799 | PV003799 | PV003799 |

CONTENU / PARTS LIST

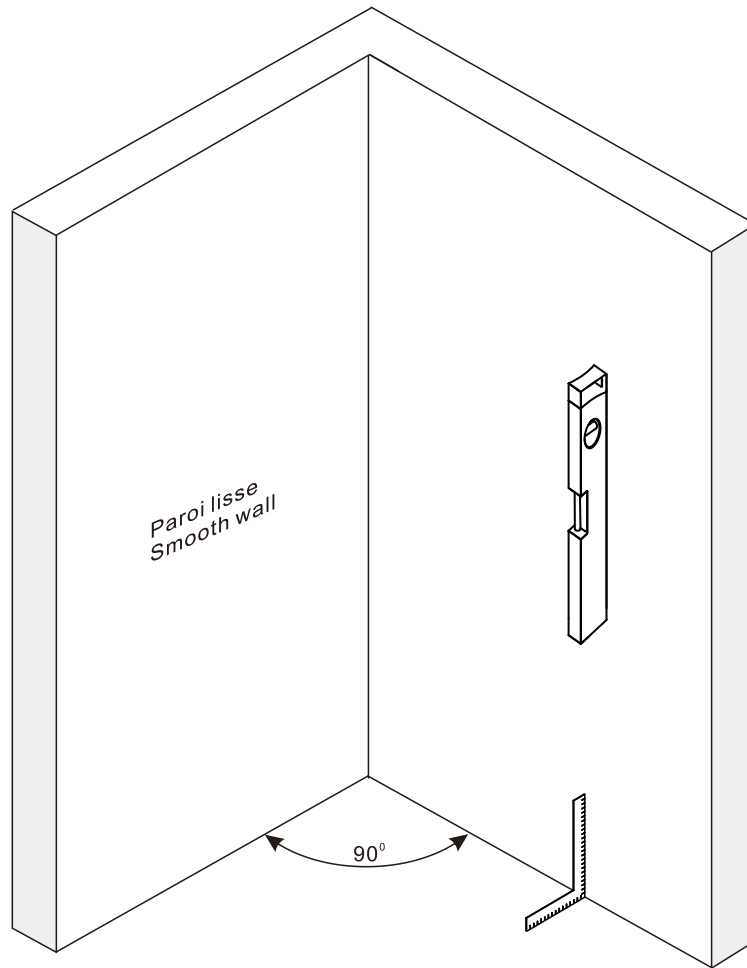
| Numéro No | Qté Qty | Description anglais | 54" code | 55"Bathtub/BAIN | 60" code | 60"Bathtub/BAIN |
|-----------|---------|---|----------|-----------------|----------|-----------------|
| 1A | 1 | Ancrage chrome pour barre de roulement gauche Chrome wall bracket for rolling bar left | PQ022602 | PQ022602 | PQ022602 | PQ022602 |
| 1B | 1 | Ancrage chrome pour barre de roulement droite Chrome wall bracket for rolling bar right | PQ022702 | PQ022702 | PQ022702 | PQ022702 |
| 2 | 1 | Barre de roulement Chrome rolling bar | PQ026702 | PQ034602 | PQ023102 | PQ023102 |
| 3 | 2 | Amortisseur de roulette Roller bumper | PQ023299 | PQ023299 | PQ023299 | PQ023299 |
| 4 | 1 | Extrusion murale Chrome Chrome Wall Chanel | PA004002 | PA006402 | PA004002 | PA004102 |
| 5 | 1 | Joint de serrage Squeeze gasket | PJ008010 | PJ008010 | PJ008010 | PJ008010 |
| 6 | 1 | Panneau fixe clair Clear Fixe panel | PG013420 | PG016320 | PG011420 | PG011520 |
| 7 | 1 | Joint panneau fixe Gasket for fixed panel (Have Cut) | PJ008110 | PJ014610 | PJ008110 | PJ008110 |
| 8 | 1 | Joint panneau du centre Gasket for door panel | PJ008210 | PJ014710 | PJ008210 | PJ008210 |
| 9 | 1 | Vitre du milieu Clear sliding panel in middle | PG013520 | PG016420 | PG011920 | PG012020 |
| 10 | 2 | Ancrage de fixation de vitre Fixing part | PQ023302 | PQ023302 | PQ023302 | PQ023302 |
| 11 | 5 | Vis 8 X 1 5/8 " tete plate flat head screw 8 X 1 5/8 " | PV000299 | PV000299 | PV000299 | PV000299 |
| 12 | 1 | Porte clair Clear door panel | PG013620 | PG016520 | PG012420 | PG012520 |
| 13 | 10 | Cheville murale Wall anchor | PV000199 | PV000199 | PV000199 | PV000199 |
| 14 | 1 | Aimant A Magnet gasket A | PJ003110 | PJ014810 | PJ003110 | PJ003110 |
| 15 | 1 | Ancrage chrome d'anti éclaboussure de panneau fixe Chrome Fix panel bracket for backsplash | PQ023402 | PQ023402 | PQ023402 | PQ023402 |
| 16 | 1 | Poigné chrome Chrome handle | PP000302 | PP000302 | PP000302 | PP000302 |
| 17 | 1 | Anti éclaboussure chrome Chrome back splash | PQ026802 | PQ034702 | PQ023802 | PQ023802 |
| 18 | 2 | Outil pour installation de vitre Installation tool | PT002199 | PT002199 | PT002199 | PT002199 |
| 19 | 1 | Ancrage chrome d'anti éclaboussure mural Chrome mural bracket for backsplash | PQ023902 | PQ023902 | PQ023902 | PQ023902 |
| 20 | 2 | Ancrage de fixation de vitre excentrique Eccentric fixing part | PQ024002 | PQ024002 | PQ024002 | PQ024002 |
| 21 | 1 | Roulette Roller for clear door panel | PR000902 | PR000902 | PR000902 | PR000902 |
| 22 | 1 | Aimant B collant Magnet B adhesive | PJ003210 | PJ014910 | PJ003210 | PJ003210 |
| 23 | 1 | Ancrage panneau fixe en haut Fixing part for fixed panel | PQ024102 | PQ024102 | PQ024102 | PQ024102 |
| 24 | 3 | VIS 8 X 5/8 Screw 8 X 5/8 | PV001399 | PV001399 | PV001399 | PV001399 |
| 25 | 1 | Barre de roulement pour vitre du centre Insert rolling bar for sliding panel in middle | PQ026902 | PQ034802 | PQ024502 | PQ024502 |
| 26 | 5 | Vis mécanique en V M5 x 12 Machine screw V M5 x 12 | PV003899 | PV003899 | PV003899 | PV003899 |
| 27 | 1 | Cap pour ancrage de barre Cap for wall bracket | PQ024602 | PQ024602 | PQ024602 | PQ024602 |
| 28 | 1 | Joint panneau du centre long Gasket for door panel (Long) | PJ008310 | PJ015010 | PJ008310 | PJ008310 |
| 29 | 1 | Joint de porte court Gasket for door panel (Short) | PJ008410 | PJ015110 | PJ008410 | PJ008410 |
| 30 | 1 | Barre de roulement pour porte coulissante Insert rolling bar for door panel | PQ027002 | PQ034902 | PQ025002 | PQ025002 |
| 31 | 4 | Vis 10 X 1 5/8 " tête en V Flat head screw 10 X 1 5/8 " | PV002799 | PV002799 | PV002799 | PV002799 |
| 32 | 1 | Outil pour joint de serrage Installation tool | PT000399 | PT000399 | PT000399 | PT000399 |
| 33 | 2 | Support d'installation pour vitre Wedge Spacers | PT000199 | PT000199 | PT000199 | PT000199 |
| 34 | 3 | Kit de clé Allen 2.5mm & 4.0mm 2.5mm & 4.0mm Allen key kit | PT002899 | PT002899 | PT002899 | PT002899 |
| 35 | 1 | Foret 1/8 Drill bit Ø3.0 | PT002299 | PT002299 | PT002299 | PT002299 |
| 36 | 1 | Vis en V 8 x 1 Flat screw 8 x 1 | PV001899 | PV001899 | PV001899 | PV001899 |
| 37 | 1 | Anti jump Anti-jumper | PQ025199 | PQ025199 | PQ025199 | PQ025199 |
| 38 | 4 | Rondelle pour vis de vitre Washer for glass screw | PQ025202 | PQ025202 | PQ025202 | PQ025202 |
| 39 | 1 | Amortisseur de roulette du bas Bumper for bottom roller | PQ025699 | PQ025699 | PQ025699 | PQ025699 |
| 40 | 4 | Rondelle plate Flat washer metal | PV003799 | PV003799 | PV003799 | PV003799 |

CONTENU / PARTS LIST

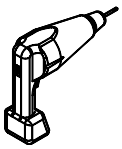


| Numéro | Qté | Kit d'ancrage chrome pour bar Chrome kit for bar | 32"Code | 36"Code |
|--------|-----|--|----------|----------|
| SP 1 | 2 | Vis mécanique en V M5 x 12 Machine screw V M5 x 12 | PV000599 | PV000599 |
| SP 2 | 2 | Joint de verre Gasket for glass | PJ008510 | PJ008510 |
| SP 3 | 1 | Cap pour verre chrome M5 Chrome cap for glass M5 | PQ025302 | PQ025302 |
| SP 4 | 1 | Panneau clair de retour 8 mm Clear Return panel 8 mm | PG012620 | PG012720 |
| SP 5 | 1 | Joint de serrage Squeeze gasket | PJ005710 | PJ005710 |
| SP 6 | 1 | Extrusion murale Chrome Chrome Wall Chanel | PA000002 | PA000002 |
| SP 7 | 3 | Vis 8 X 1 5/8 " tête plate Flat head screw 8 X 1 5/8 " | PV000299 | PV000299 |
| SP 8 | 3 | Cheville murale Wall anchor | PV000199 | PV000199 |
| SP 9 | 1 | Ancrage chrome 90 pour anti éclaboussure 90 Chrome bracket for backsplash | PQ025402 | PQ025402 |
| SP 10 | 1 | Couvert d'extrusion mural Chrome Channel cap extrusion | PQ000102 | PQ000102 |
| SP 11 | 1 | Lingette d'alcool Pure Alcohol Towel | PT002099 | PT002099 |
| SP 12 | 2 | Support d'installation pour verre Glass Wedge spacer | PT000199 | PT000199 |
| SP 13 | 1 | Outil pour joint de serrage Installation Tool | PT000399 | PT000399 |
| SP 14 | 2 | Entretoise Sleeve | PQ010799 | PQ010799 |

PRÉPARATION/PREPARATION



OUTILS ET MATÉRIAUX REQUIS / TOOLS AND MATERIALS REQUIRED



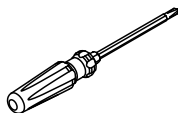
PERCEUSE
DRILL



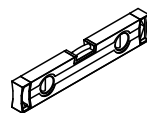
Round head
screw



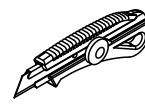
VIS
SCREWS



TOURNEVIS
SCREWDR



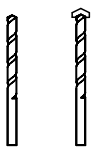
NIVEAU
LEVEL



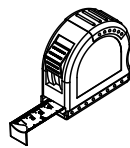
COUTEAU DE PRECISION
PRECISION KNIFE



SILICONE
SILICONE



FORETS: 1/4" ET 1/4"
*FORET À MAÇONNERIE
DRILL BITS: 1/4" ET 1/4"
*MASONRY DRILL BIT



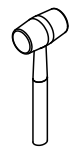
RUBAN À MESURER
MEASURING TAPE



ÉQUERRE
SET SQUARE



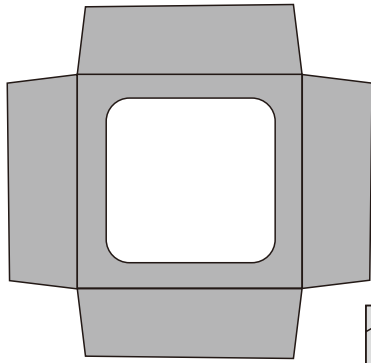
CRAYON
PENCIL



MAILLET
MALLET

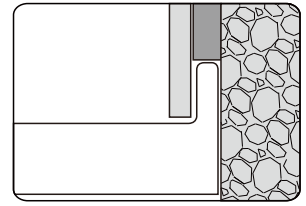
Protection de la base / Base protection


A 01



Pour protéger le FINI de votre base de douche.
To protect your shower base finish.

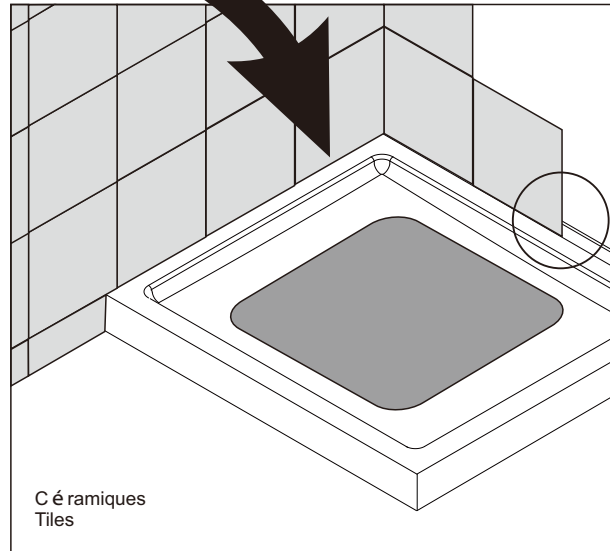
20~30mm





ATTENTION !
Attendre 24h avant d'installer votre porte de douche, afin de permettre au mortier et à la finition de sécher complètement.

WARNING !
Wait 24h before proceeding with the installation of the shower door. This will ensure that the finish and mortar is dry.

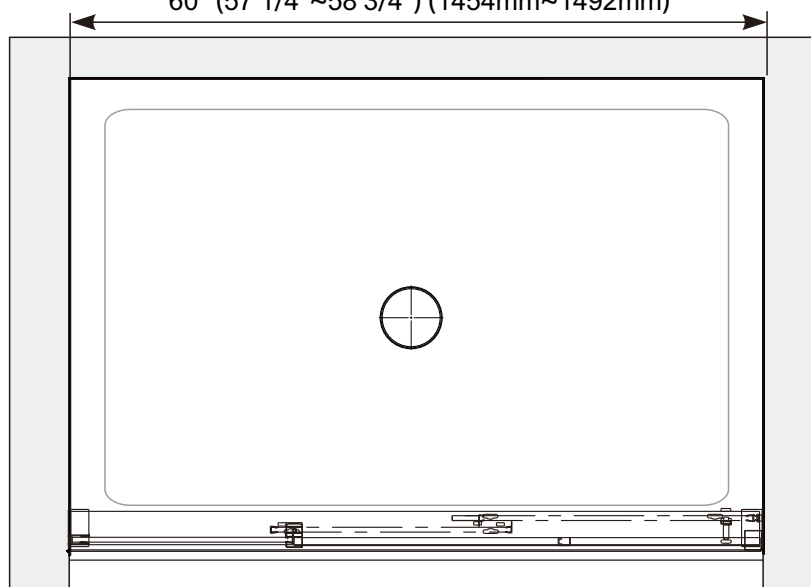


Dimensions

A 02

36" (33 1/4"~34 3/4") (843mm~881mm)
 42" (39 1/4"~40 3/4") (997mm~1035mm)
 43" (41 5/8"~43 1/8") (1057mm~1095mm)
 48" (45 1/4"~46 3/4") (1149mm~1187mm)
 54" (51 1/4"~52 3/4") (1302mm~1304mm)
 55" (51 1/2"~53") (1308mm~1346mm)
 60" (57 1/4"~58 3/4") (1454mm~1492mm)

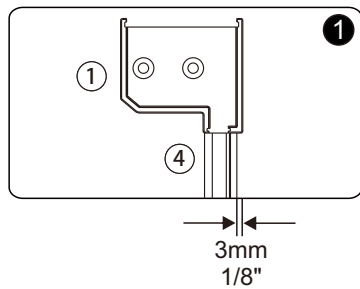
36"
42"
43"
48"
54"
55"
60"



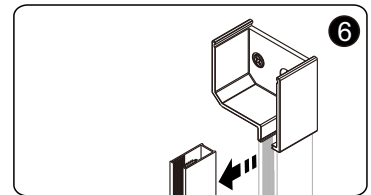
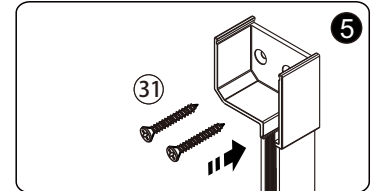
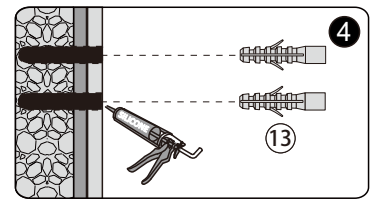
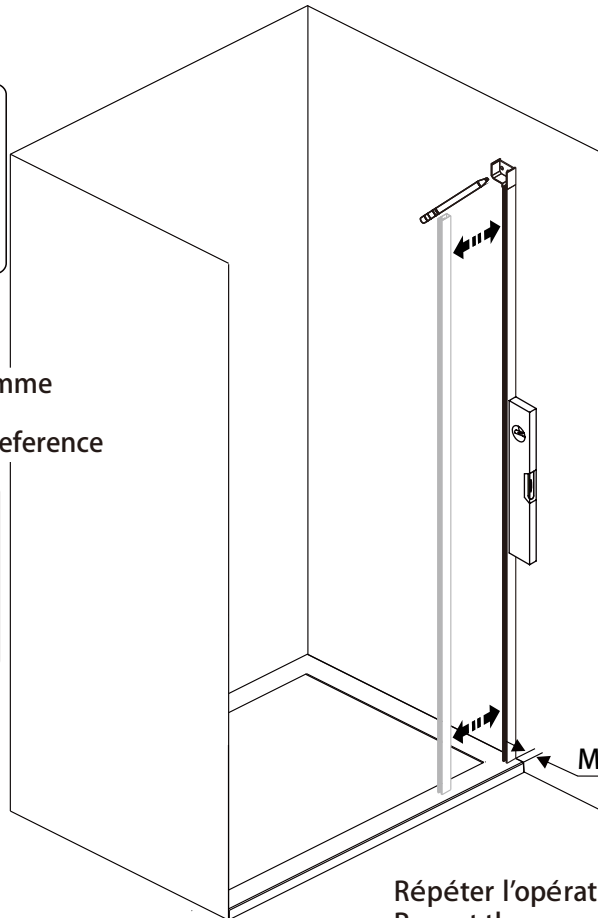
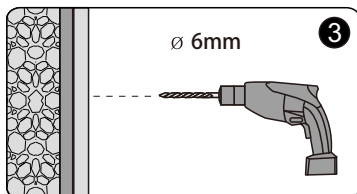
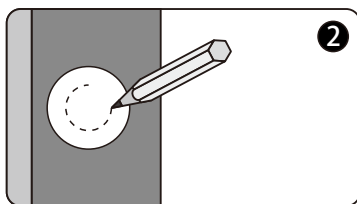
Vérifier que la base est de niveau / Check that the base is level

Installation des supports de rail / Rail support installation

A 03



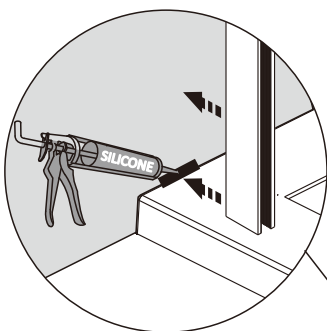
Utiliser l'extrusion murale comme référence de hauteur /
Use wall extrusion as height reference



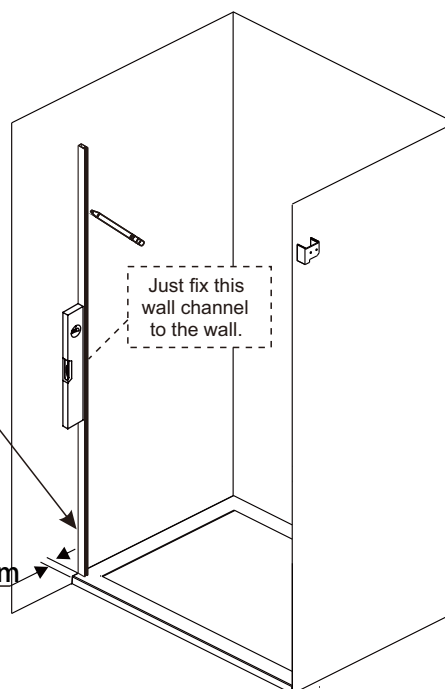
Répéter l'opération sur l'autre mur /
Repeat the operation on the other wall

Installation de l'extrusion murale/Wall extrusion installation

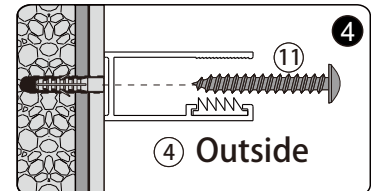
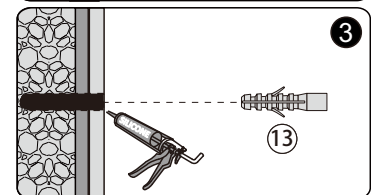
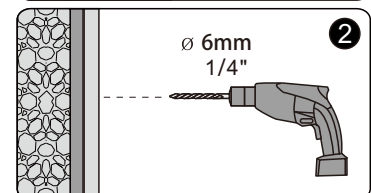
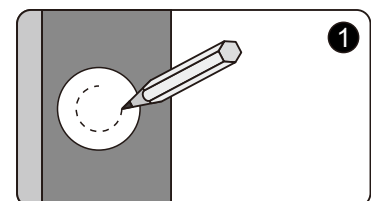
A 04



Min 1/2" 12mm

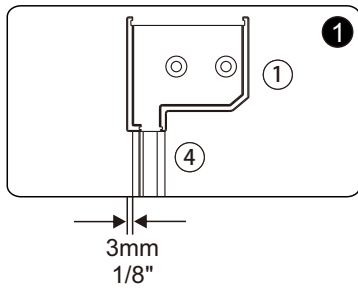


Installer l'extrusion murale du côté du panneau fixe /
Install the wall extrusion on the fixed panel side

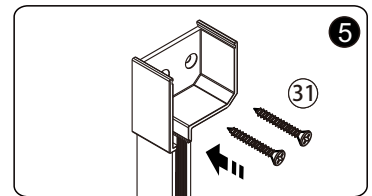
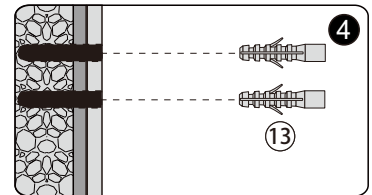
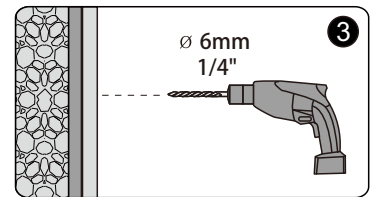
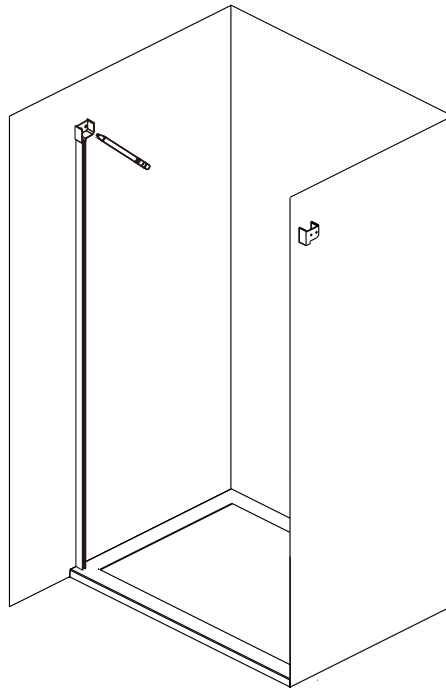
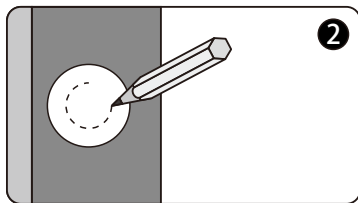


Installation des supports de rail / Rail support installation

A 05



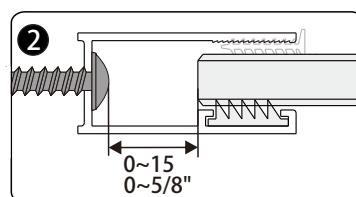
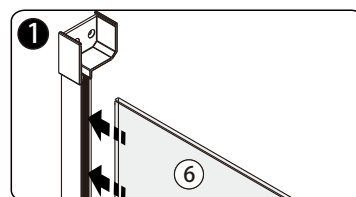
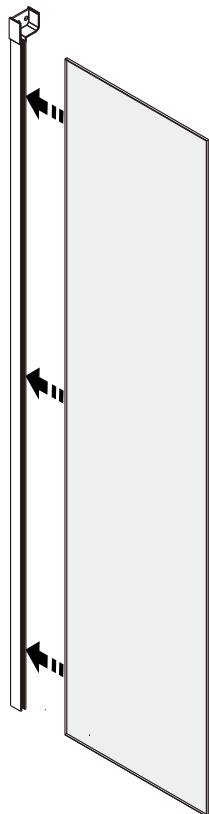
Utiliser l'extrusion murale comme référence de hauteur /
Use wall extrusion as height reference



Répéter l'opération pour les 2 côtés / Repeat the operation on the other side

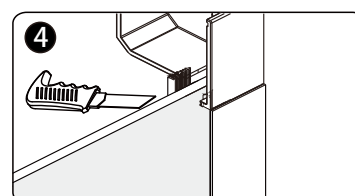
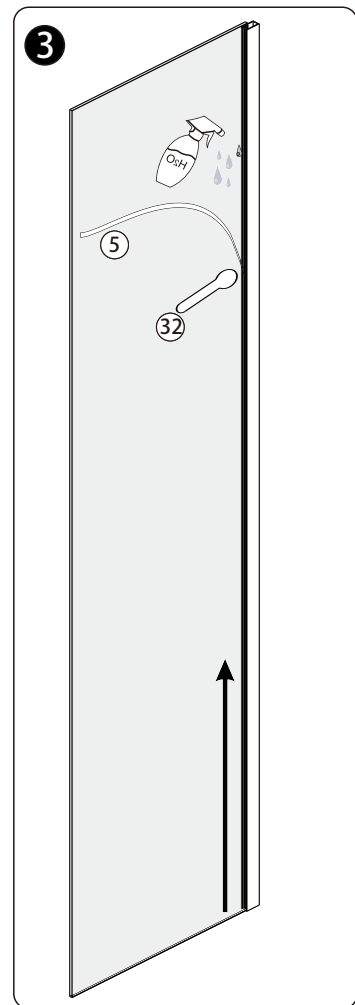
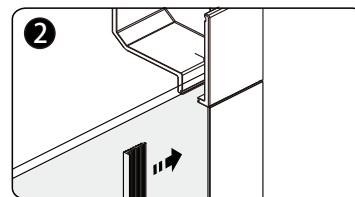
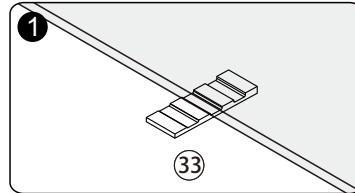
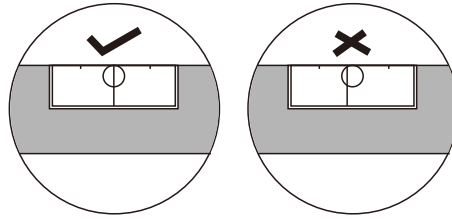
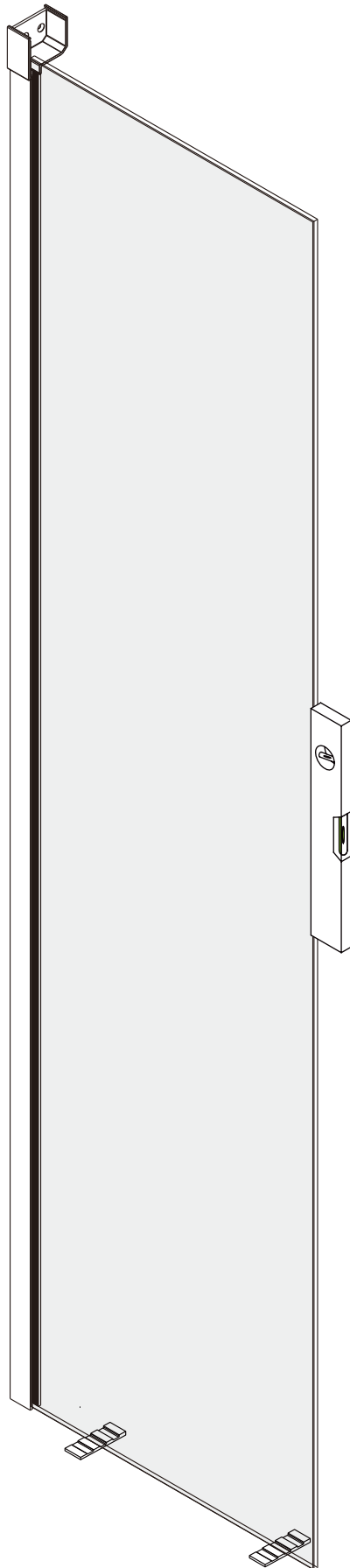
Installation du panneau fixe / Fixed panel installation

A 06



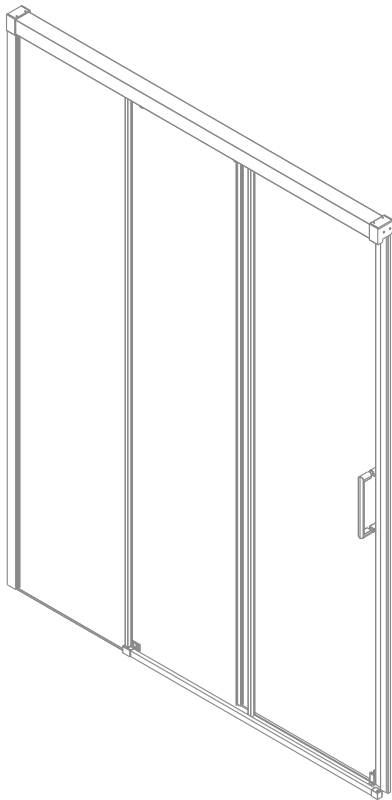
Sécuriser le panneau fixe / Fixed panel securing

A 07

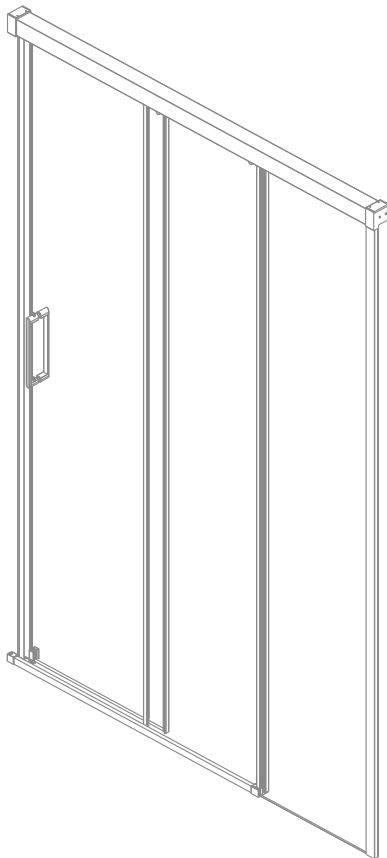
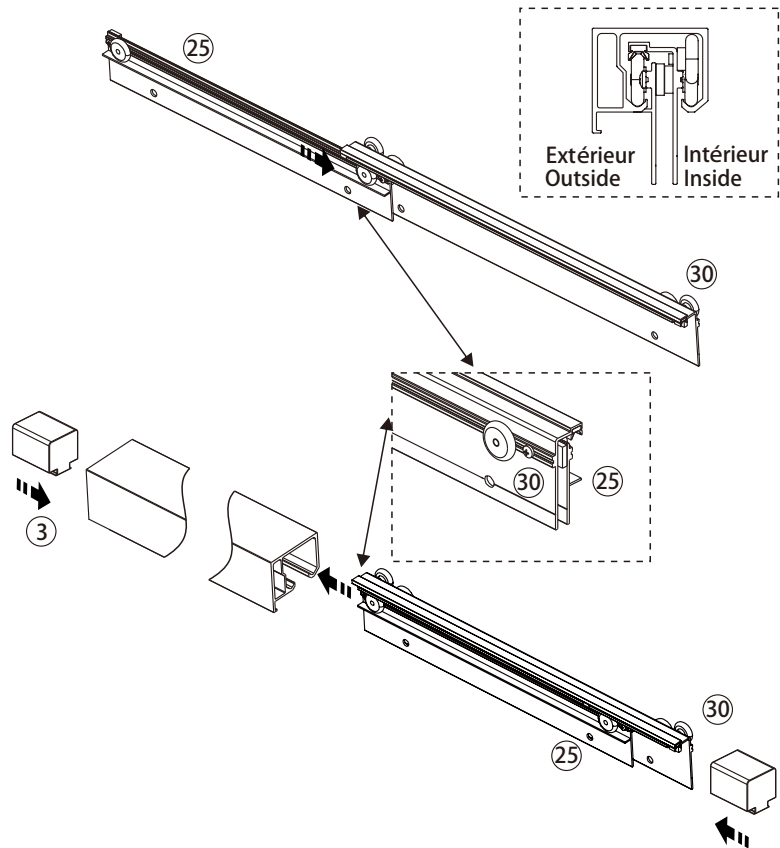


Assemblage du rail / Rail assembly

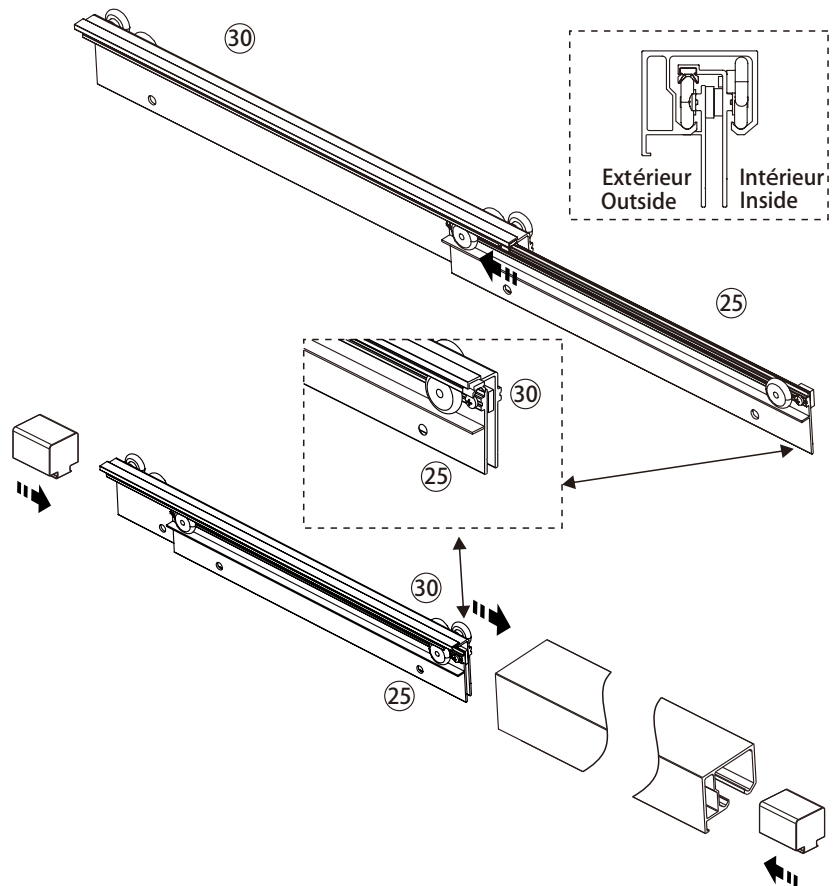
A 08



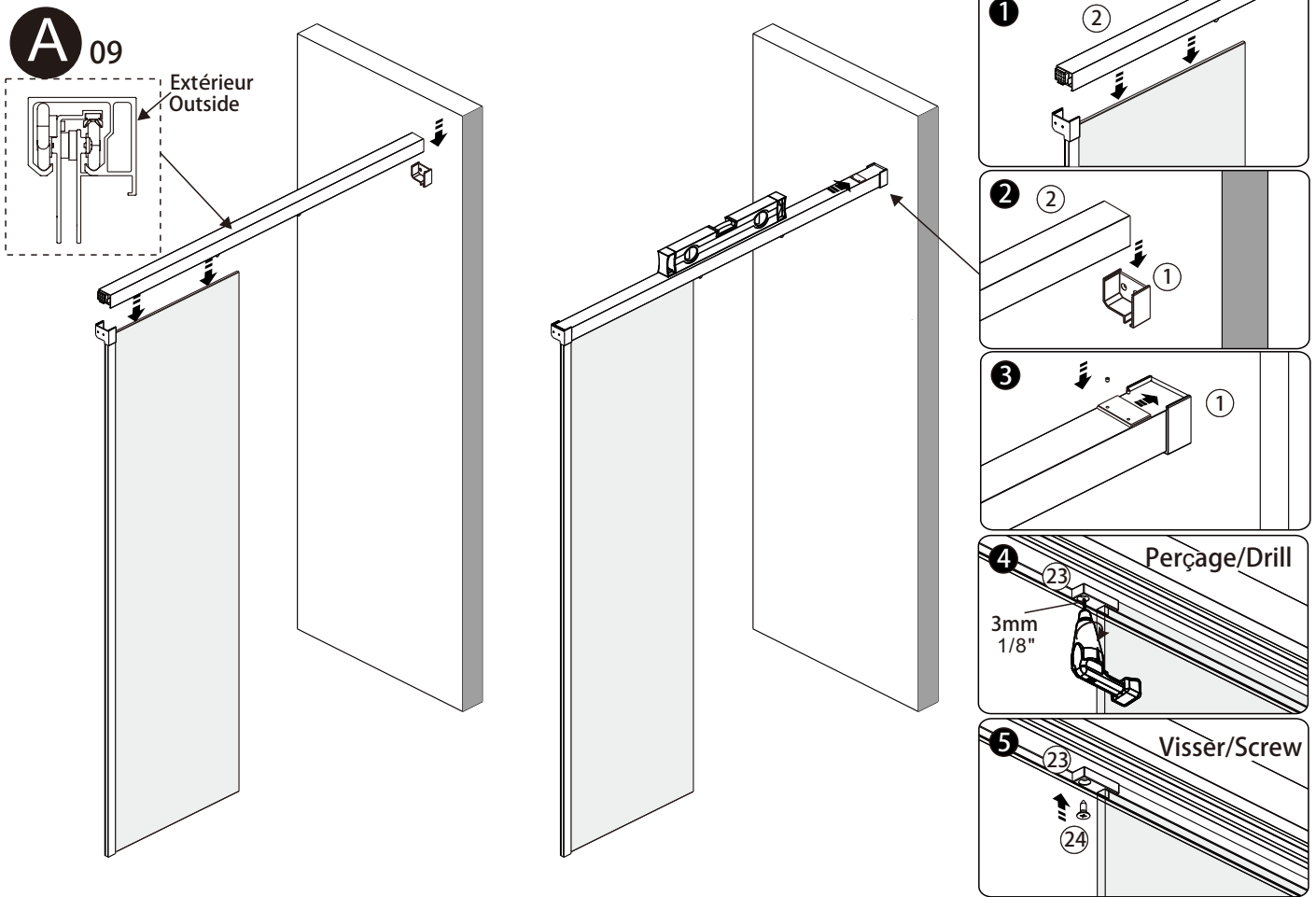
Porte à droite / Door on the right



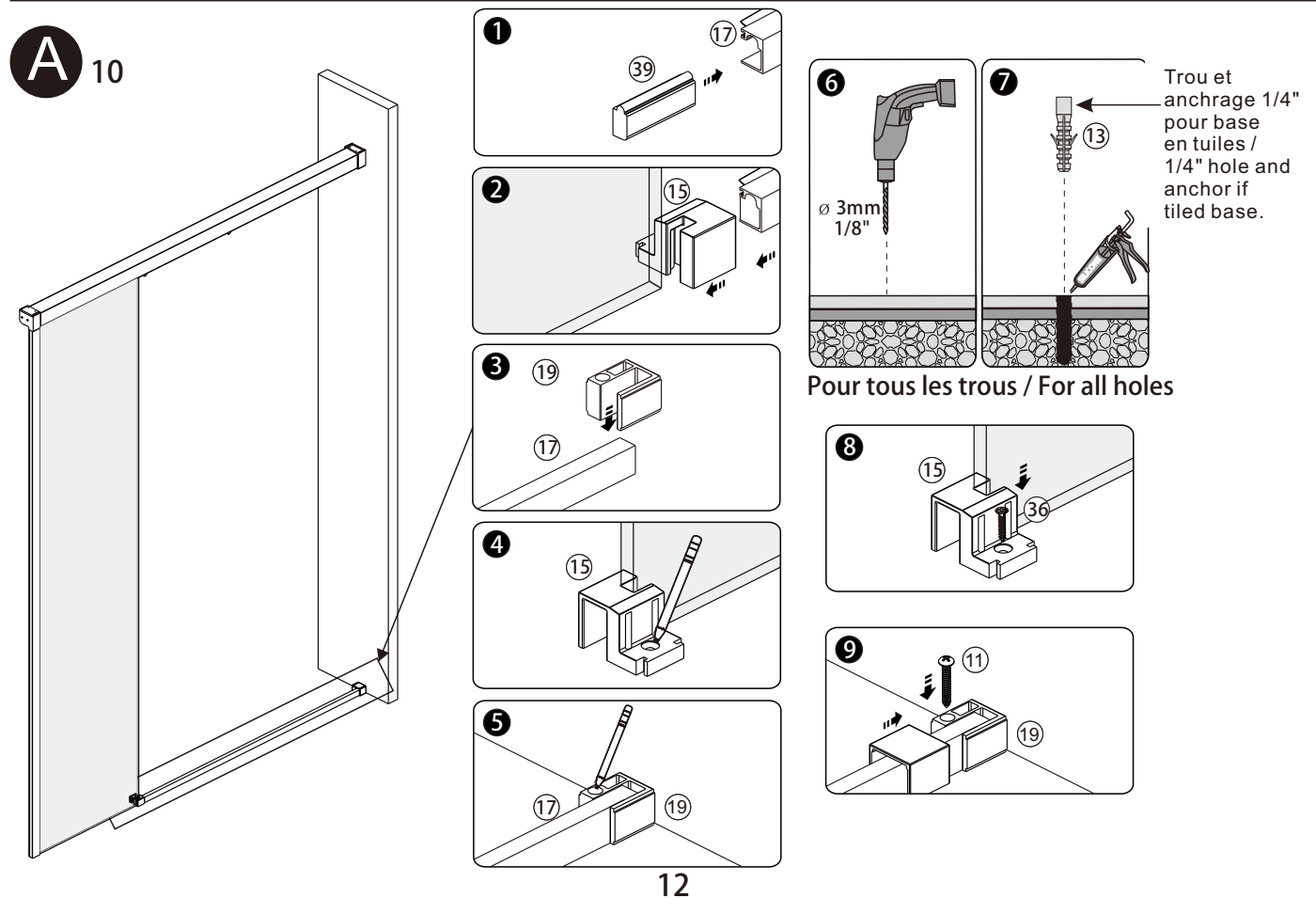
Porte à gauche / Door on the left



Installation du rail du haut / Top rail installation

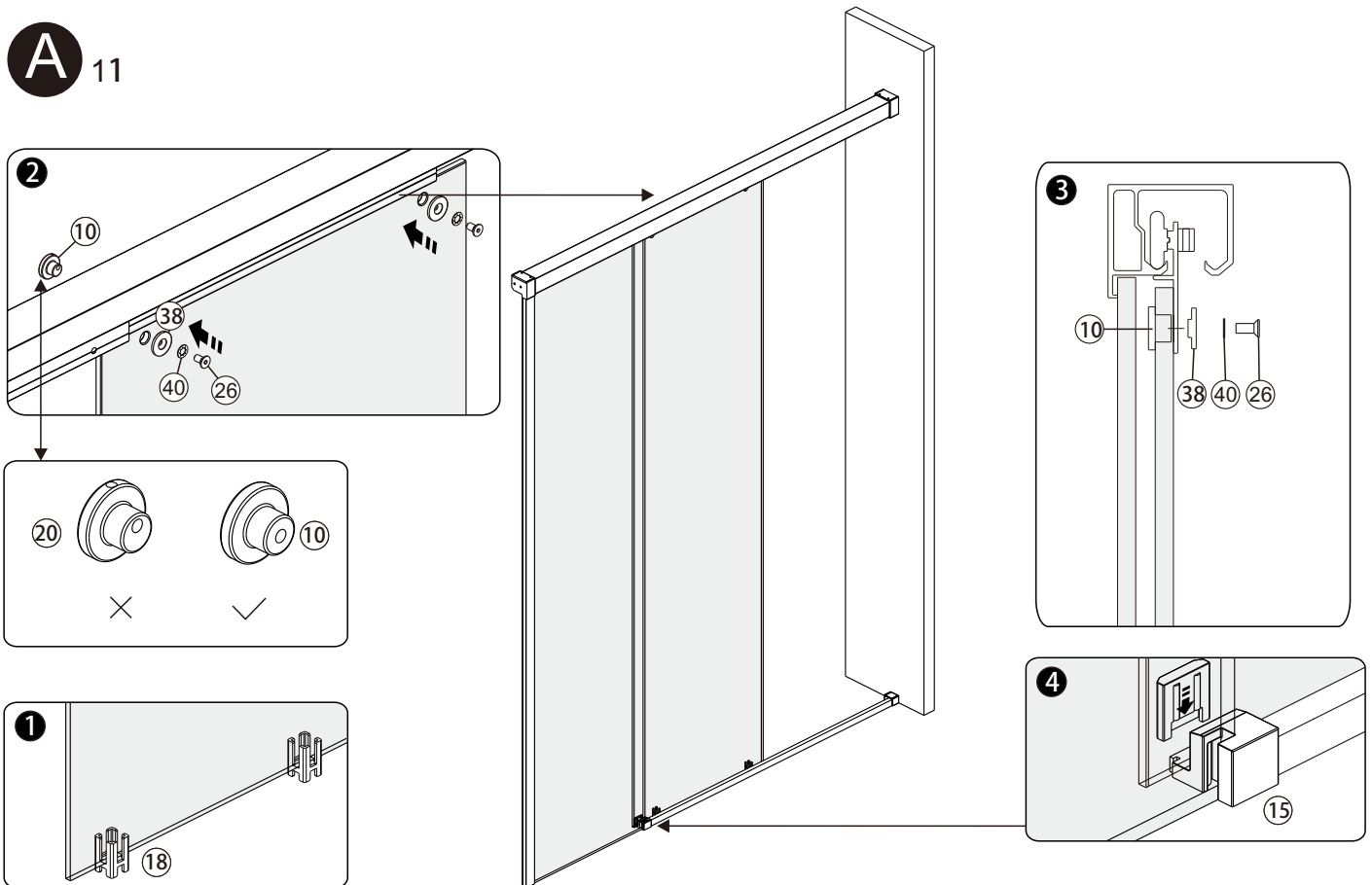


Installation du rail du bas / Bottom rail installation



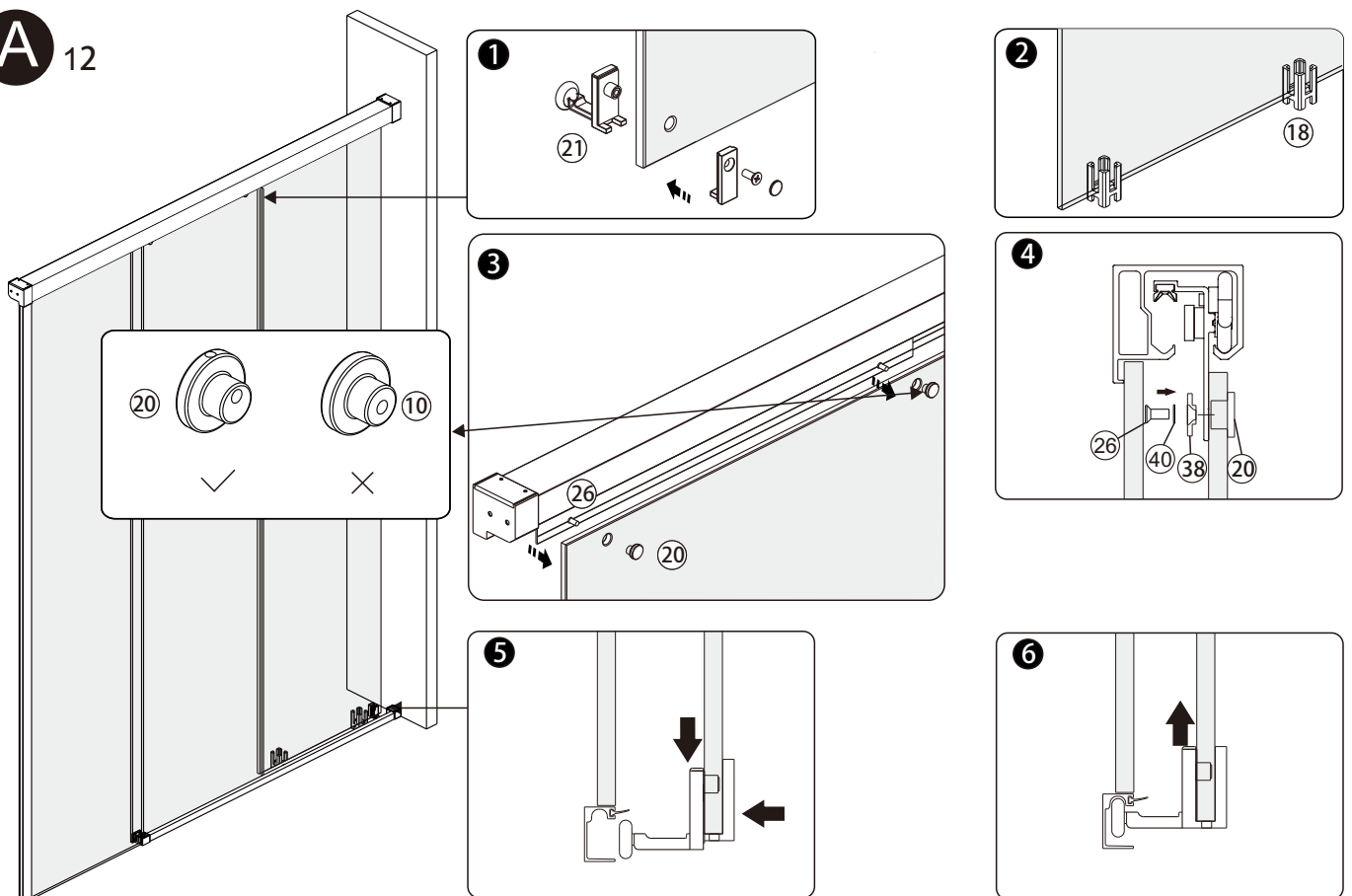
Installation du panneau du milieu / Middle panel installation

A 11



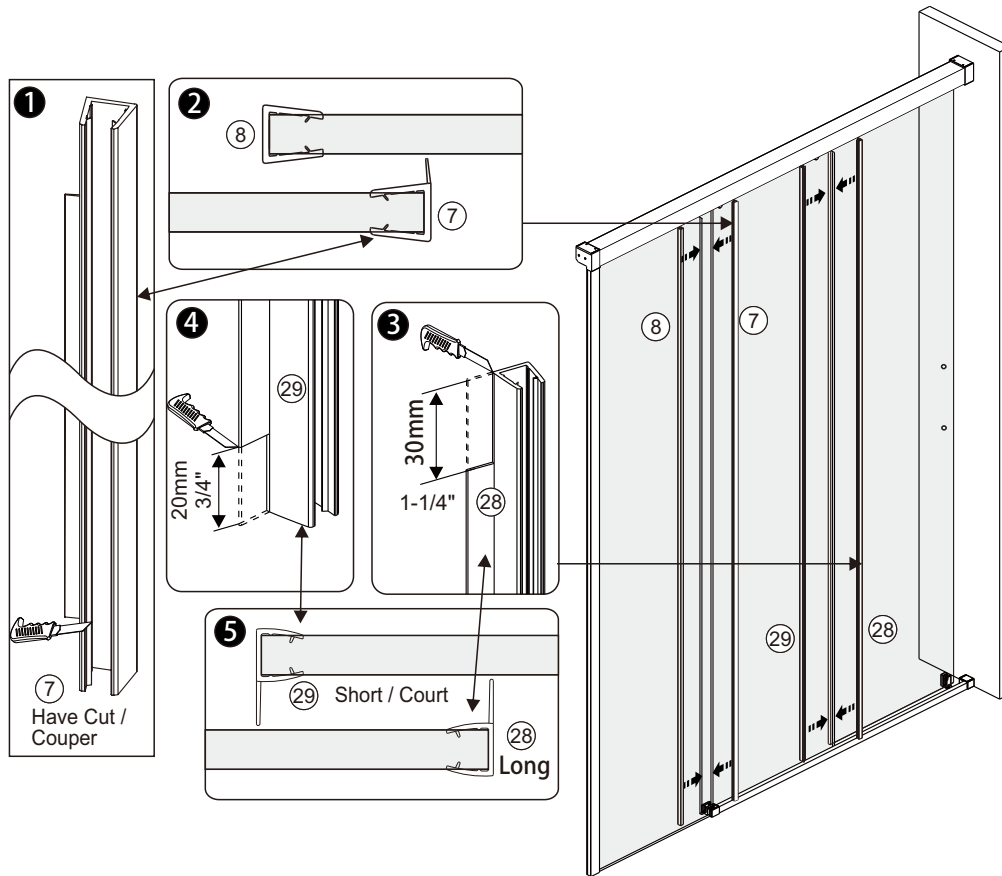
Installation du panneau de porte / Door panel installation

A 12



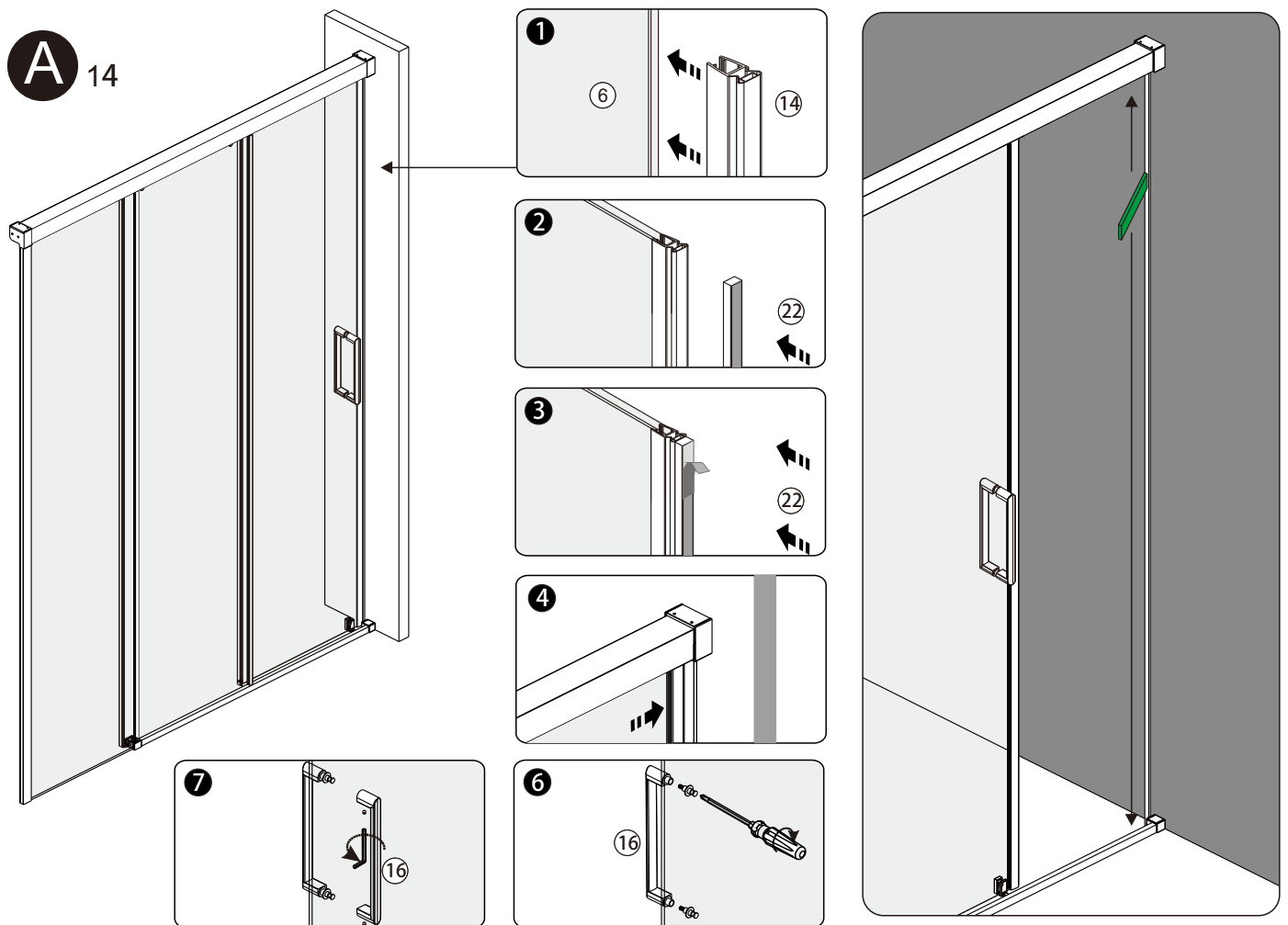
Installation des joints d'étanchéité / Gasket installation

A 13



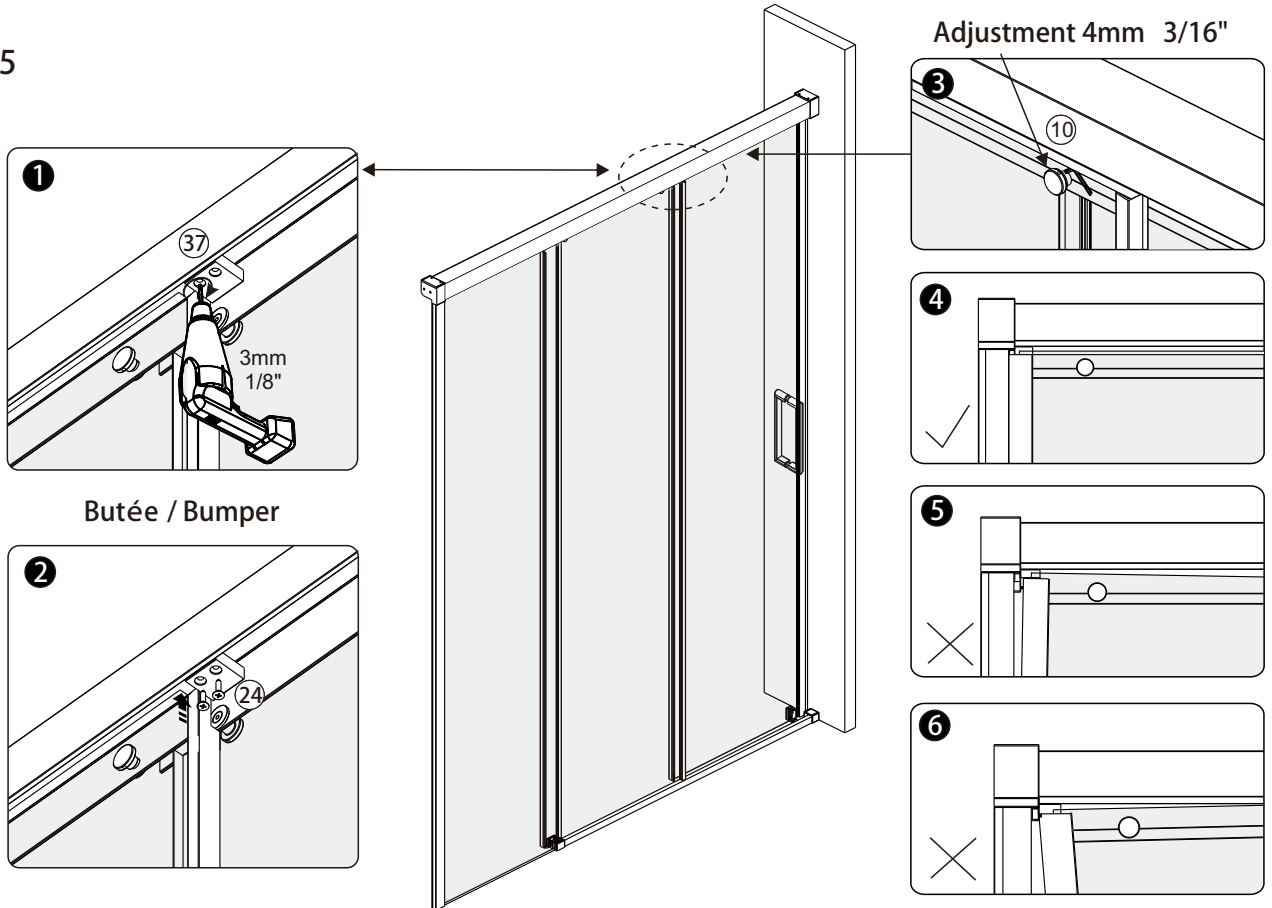
Installation du joint magnétique / Magnet installation

A 14



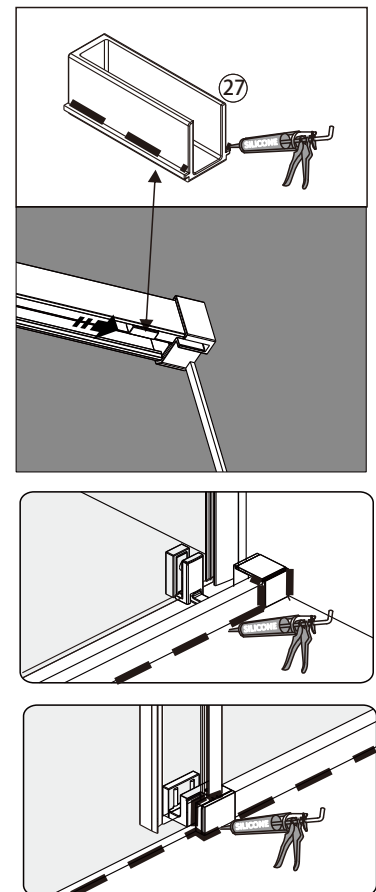
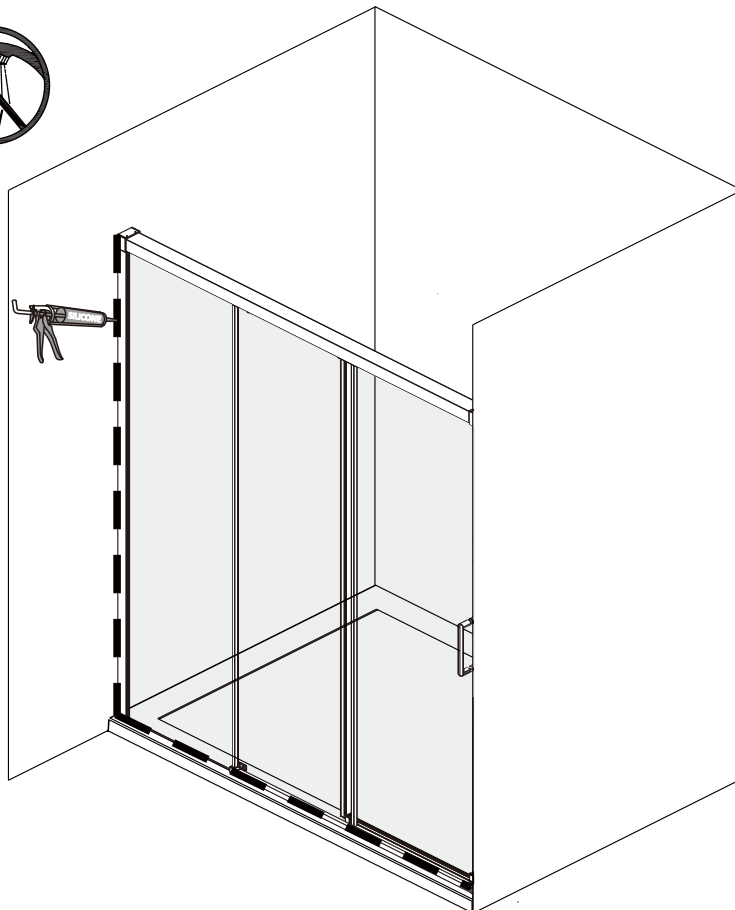
Ajustement de la porte / Door adjustment

A 15



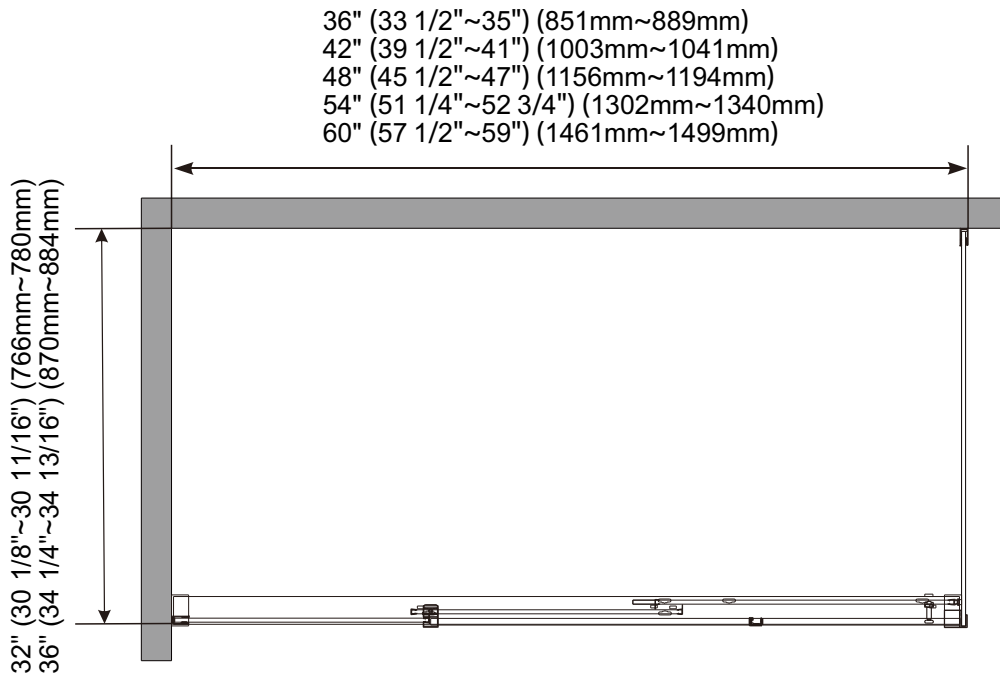
Calfeutrage / Caulking

A 16



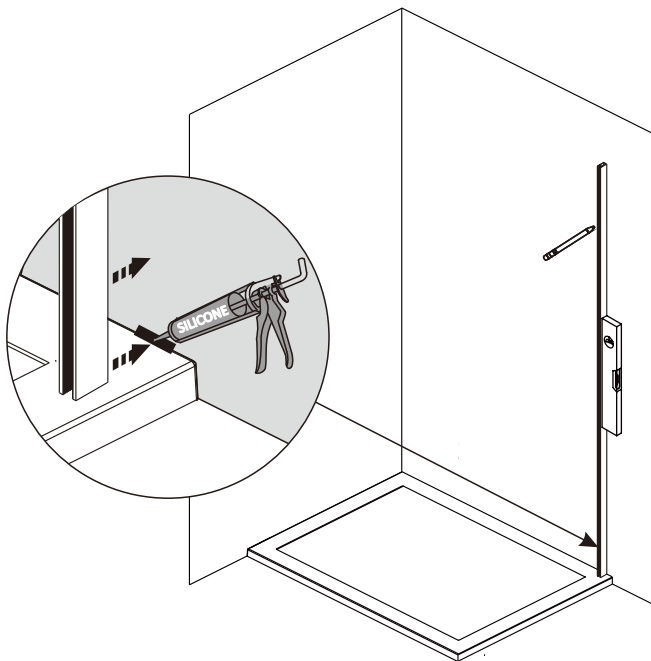
Dimensions

B 01

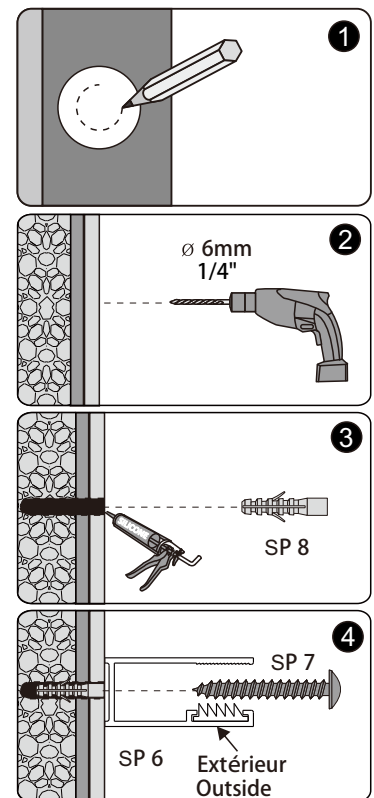


Installation de l'extrusion murale / Wall extrusion installation

B 02

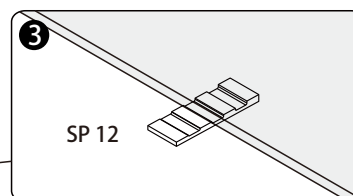
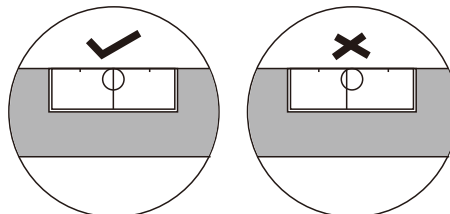
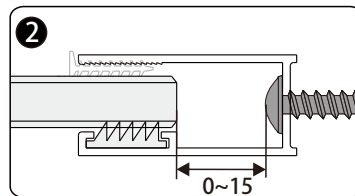
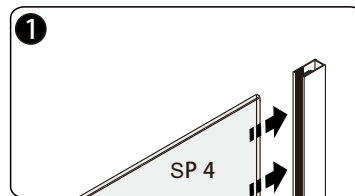
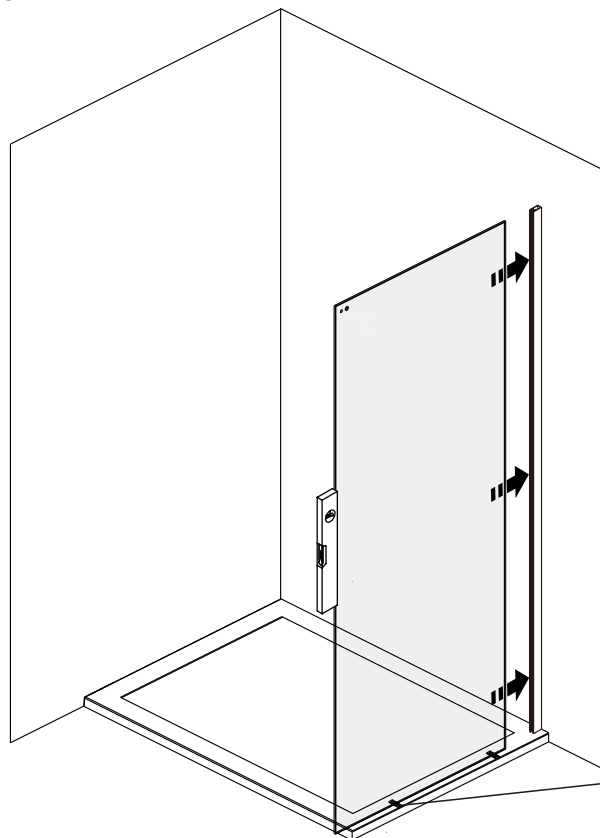


Installer l'extrusion murale du côté du panneau de retour /
 Install the wall extrusion on the return panel side



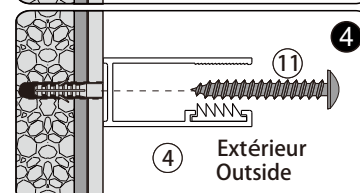
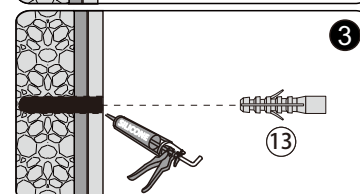
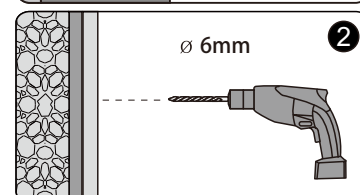
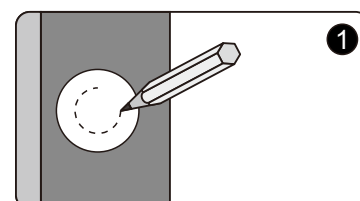
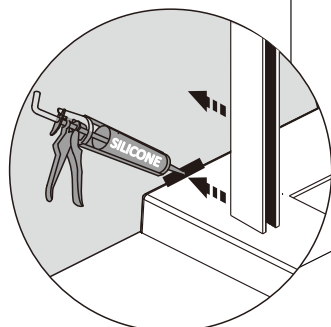
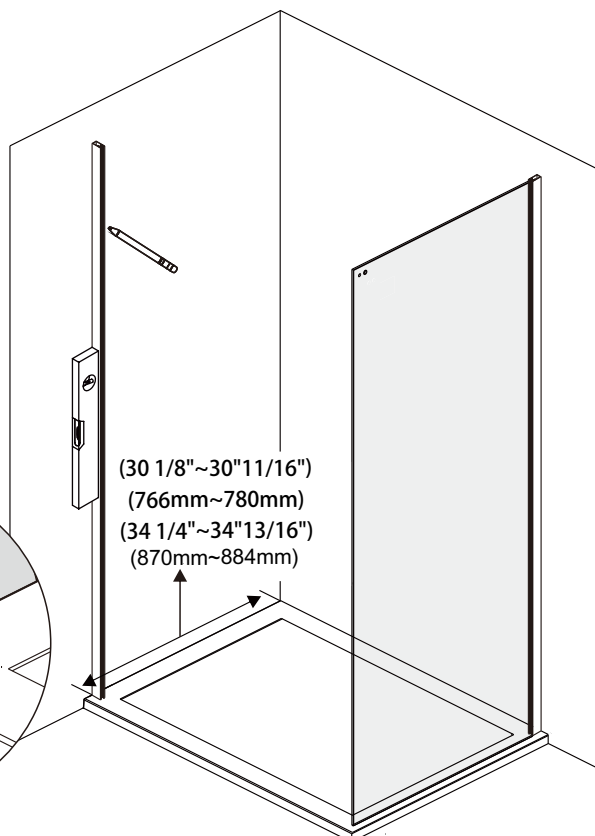
Installation du panneau de retour / Return panel installation

B 03



Installation de l'extrusion murale/Wall extrusion installation

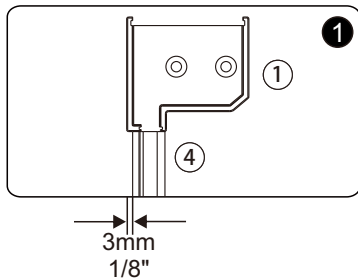
B 04



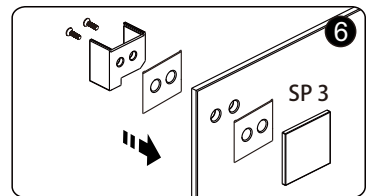
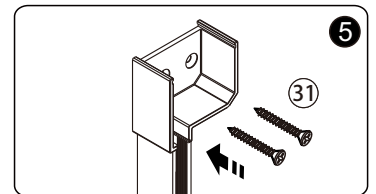
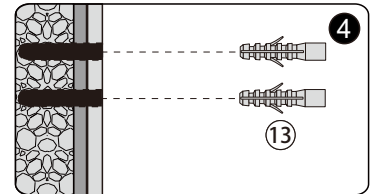
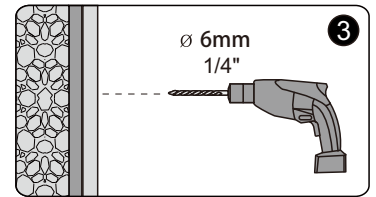
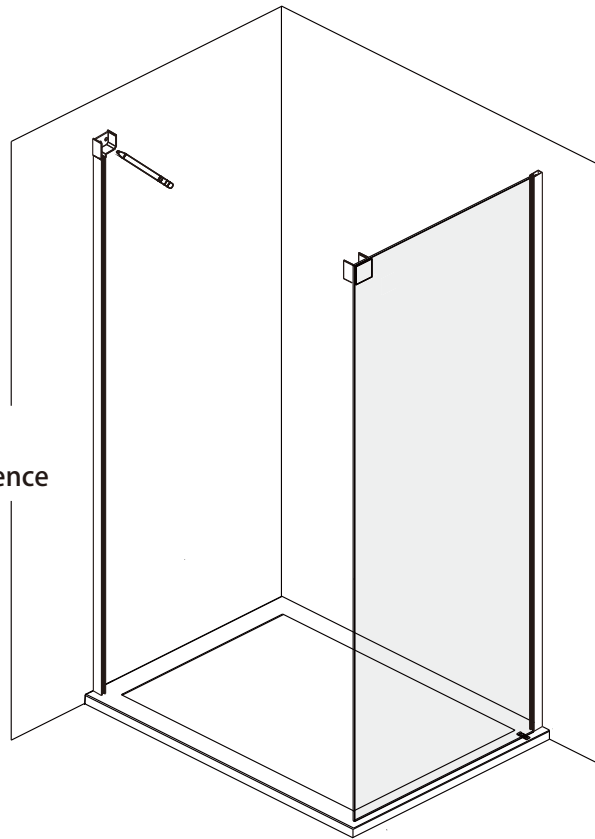
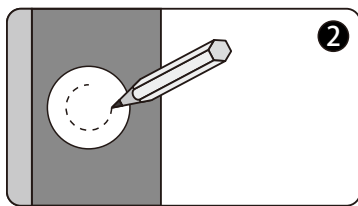
Installer l'extrusion murale du côté du panneau fixe /
Install the wall extrusion on the fixed panel side

Installation des supports de rail / Rail support installation

B 05

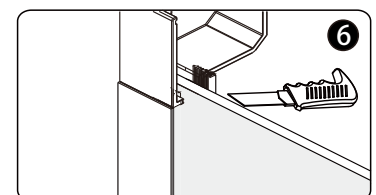
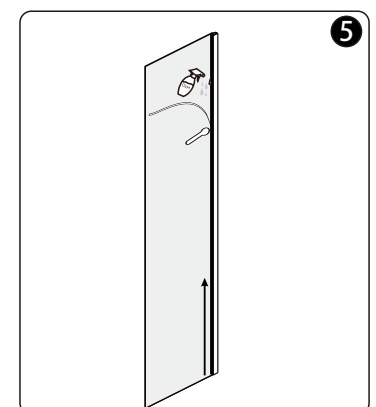
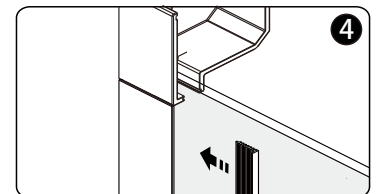
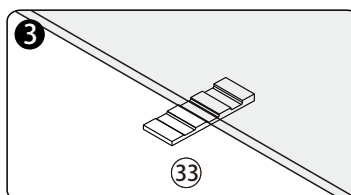
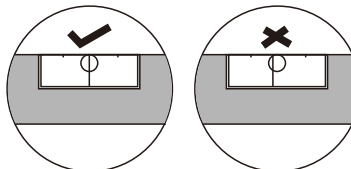
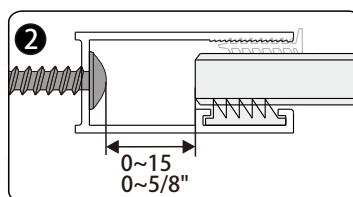
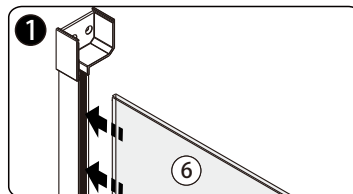
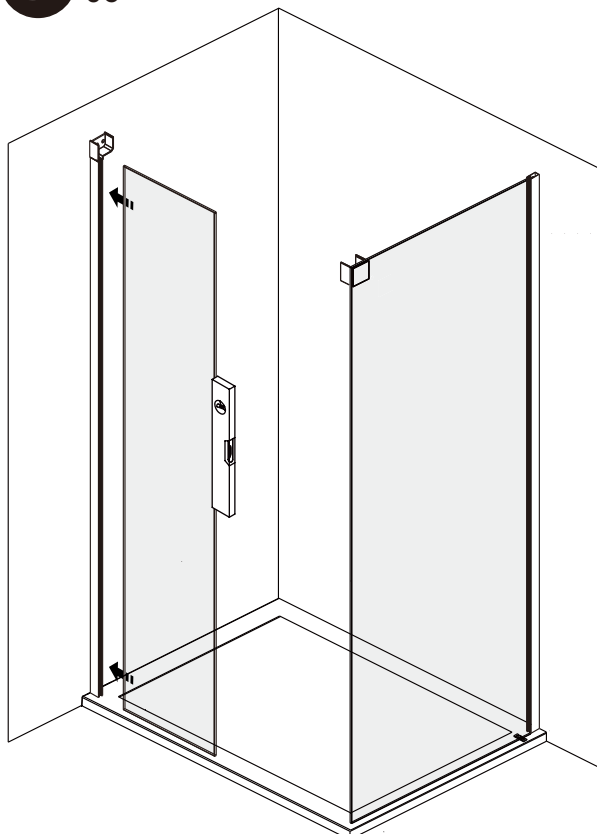


Utiliser l'extrusion murale comme référence de hauteur /
Use wall extrusion as height reference



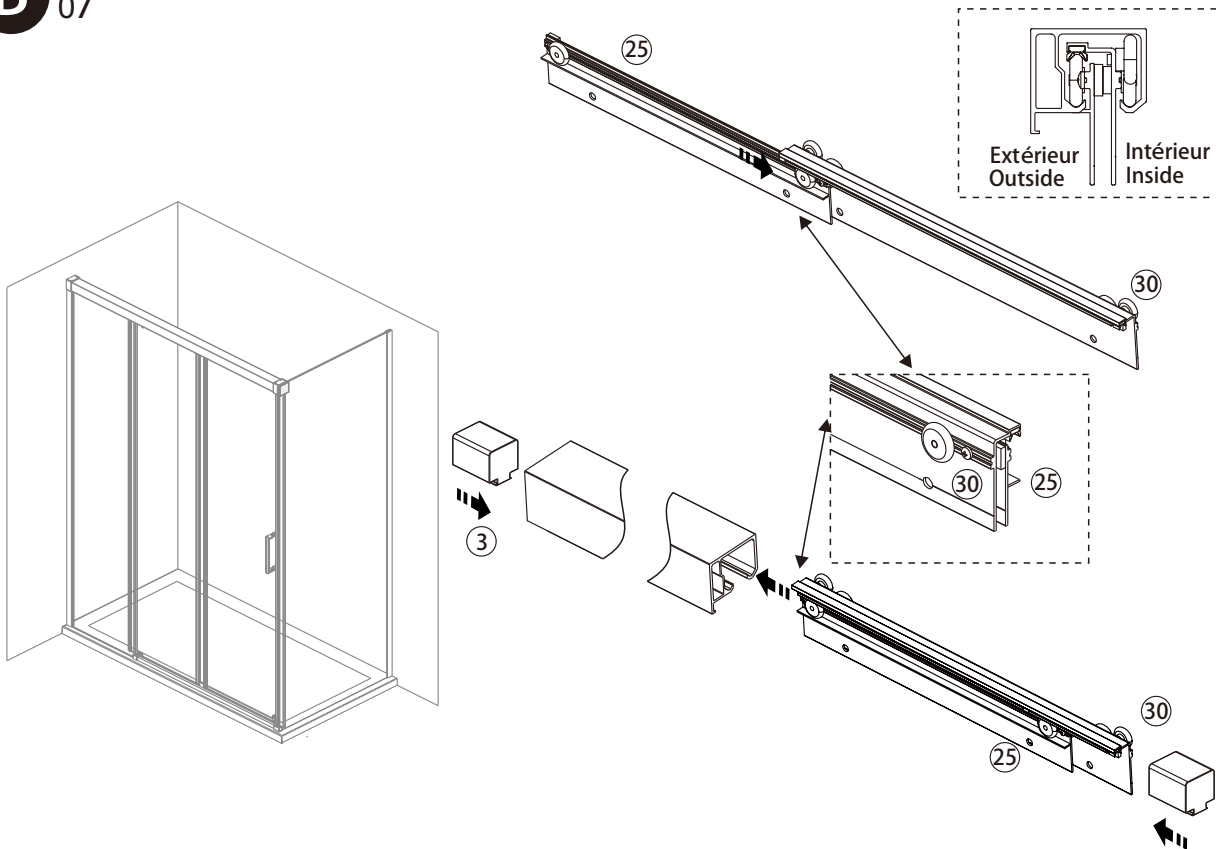
Installation du panneau fixe / Fixed panel installation

B 06

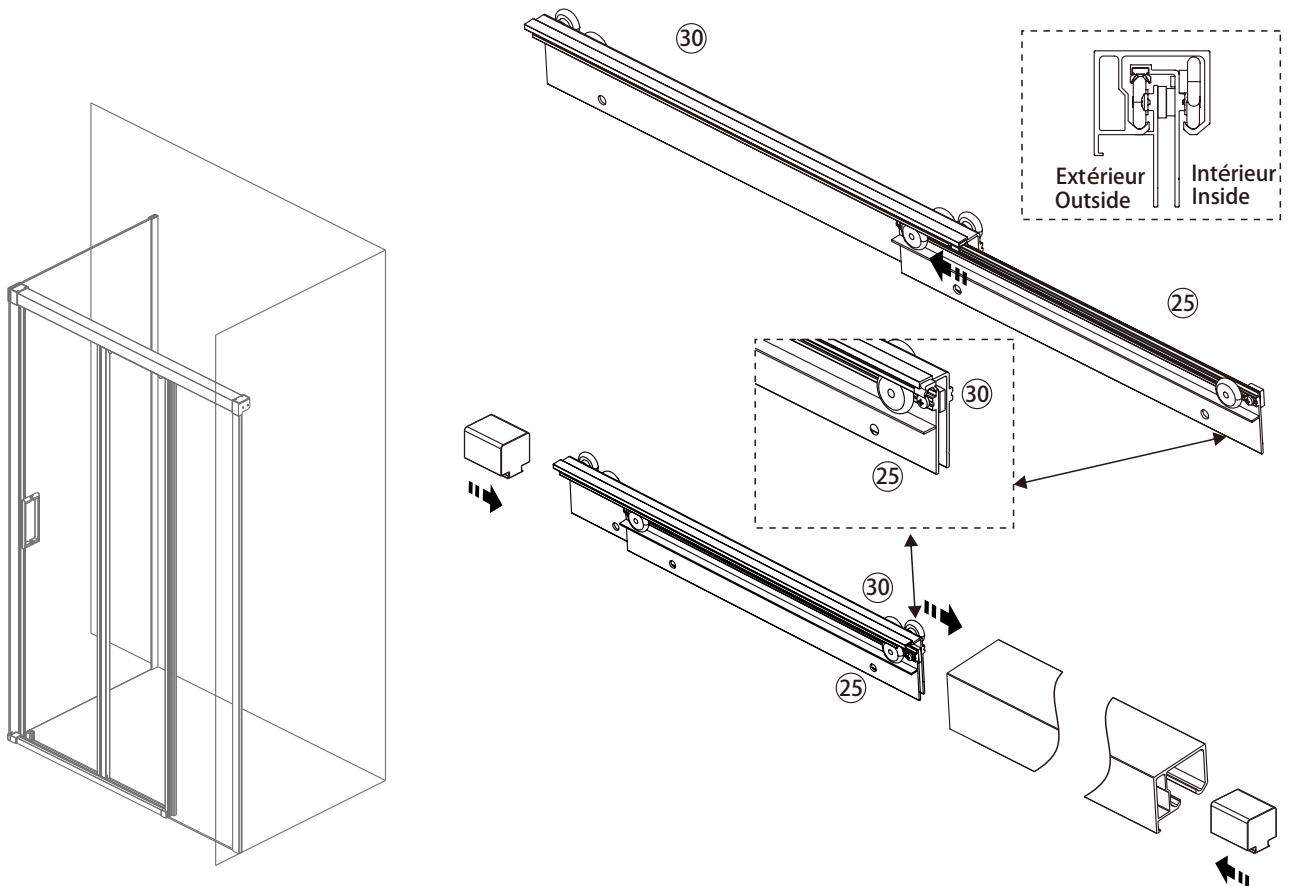


Assemblage du rail / Rail assembly

B 07



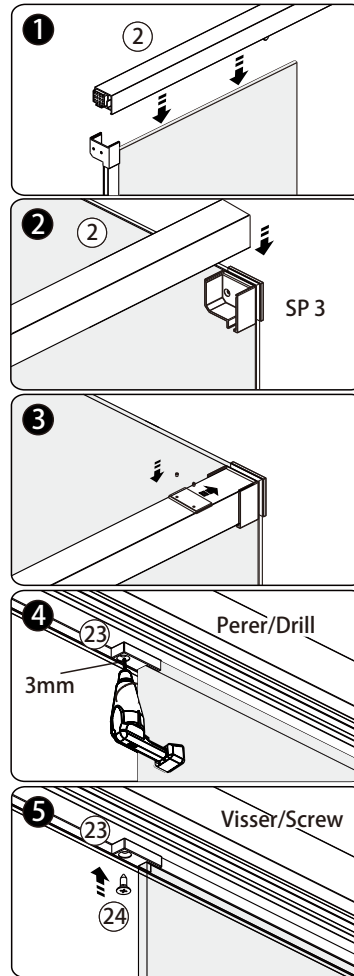
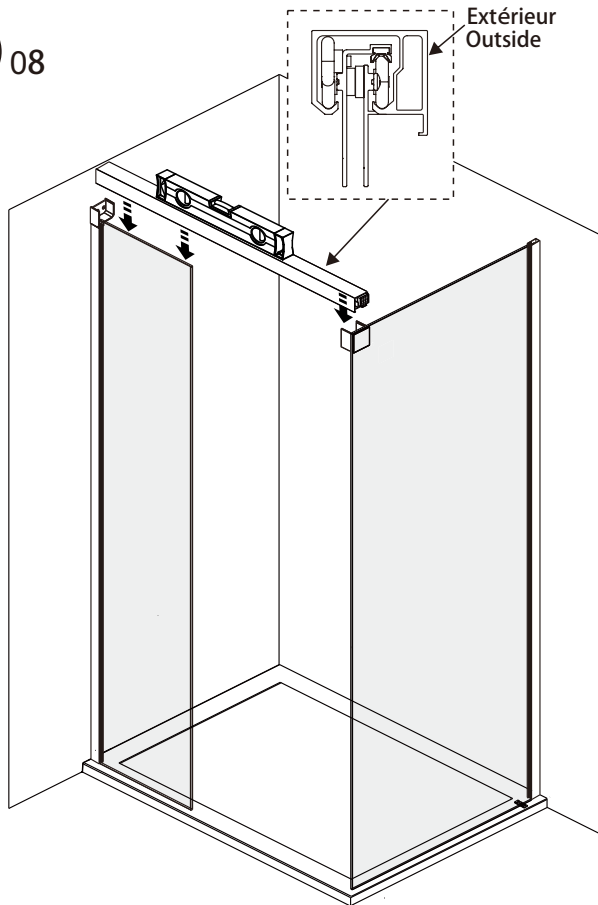
Porte à droite / Door on the right



Porte à gauche / Door on the left

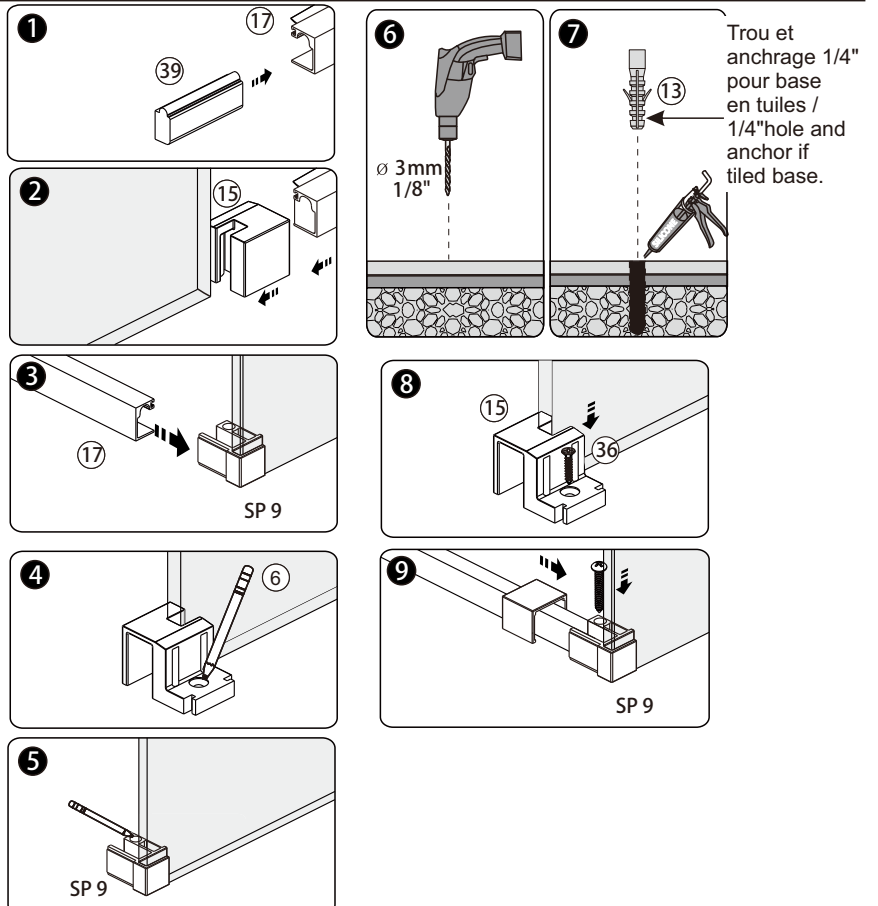
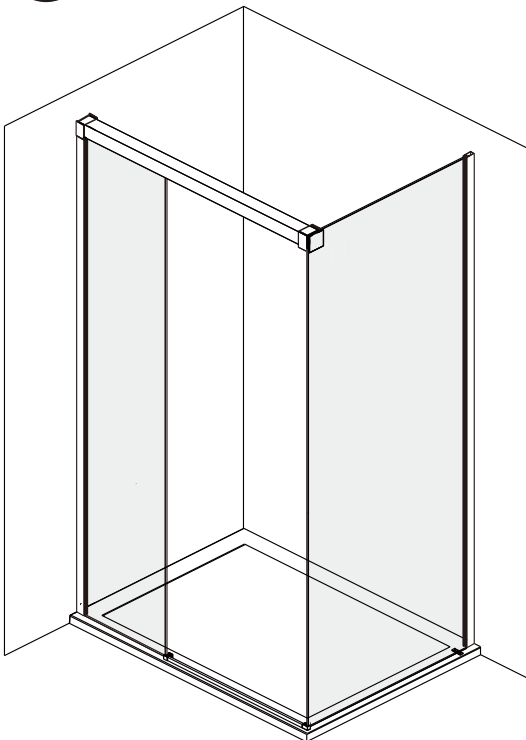
Installation du rail du haut / Top rail installation

B 08



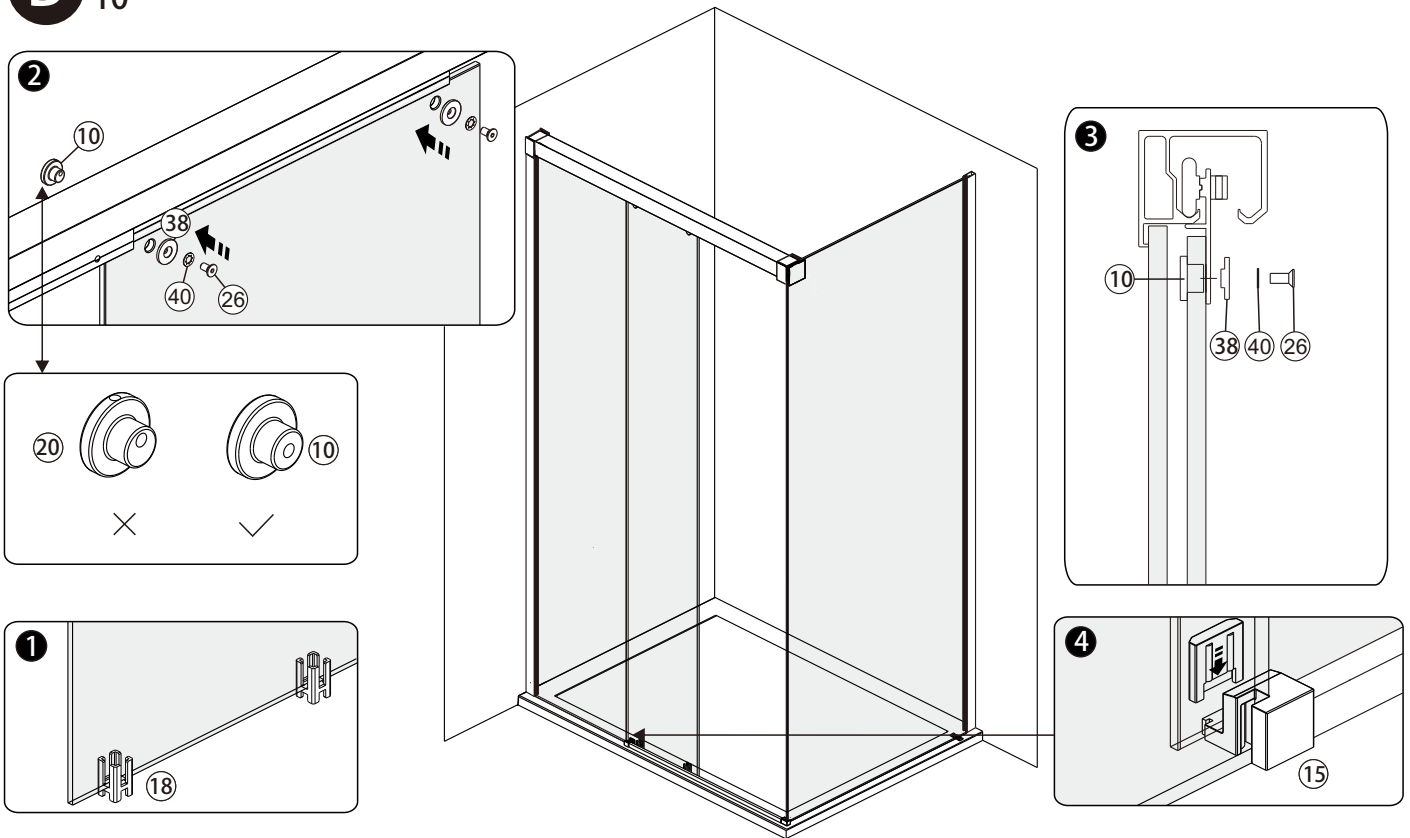
Installation du rail du bas / Bottom rail installation

B 09



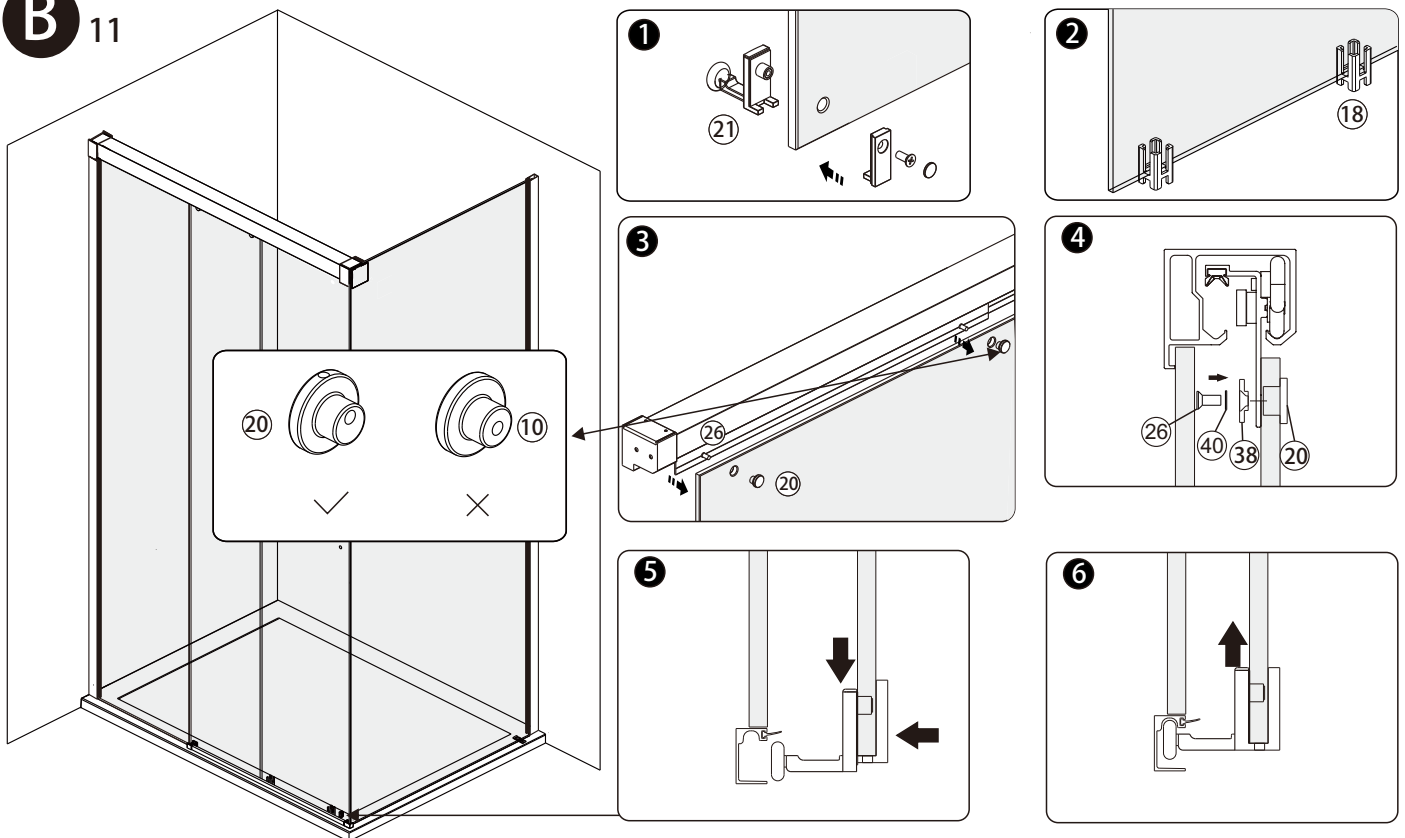
Installation du panneau du milieu / Middle panel installation

B 10



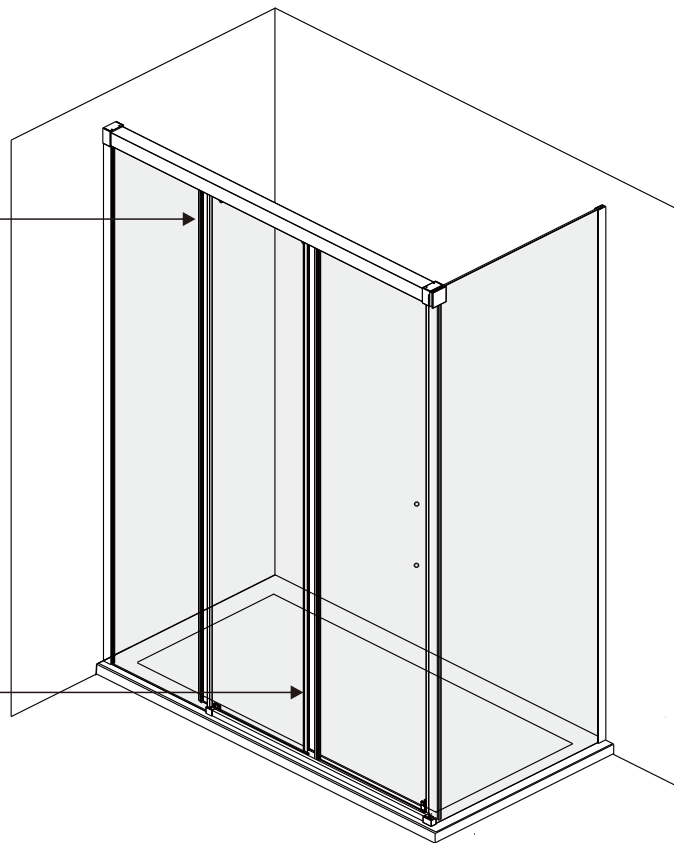
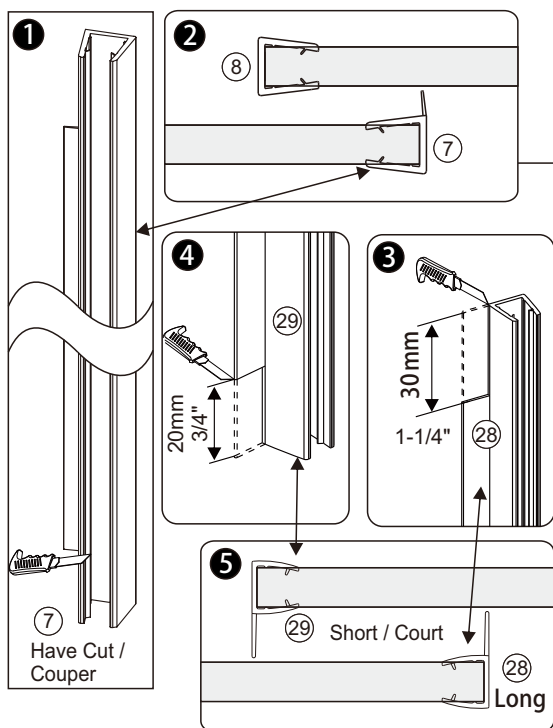
Installation du panneau de porte / Door panel installation

B 11



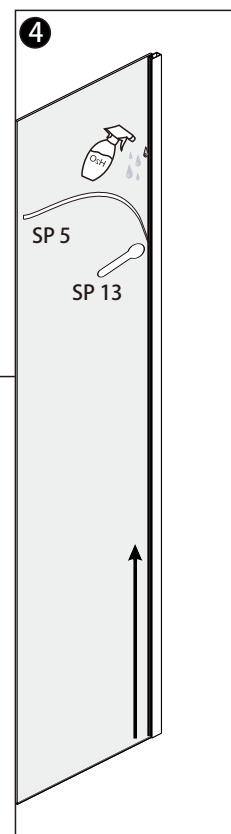
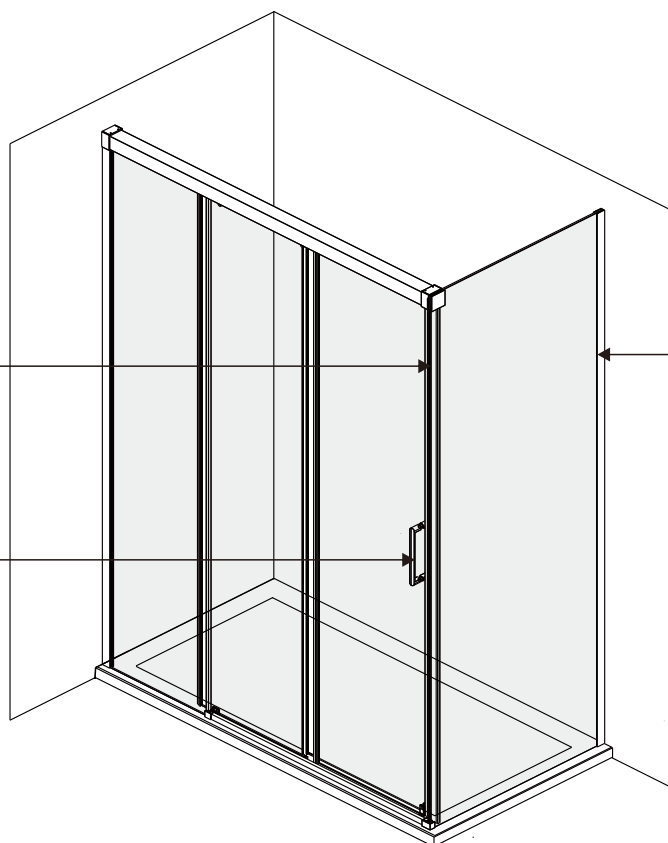
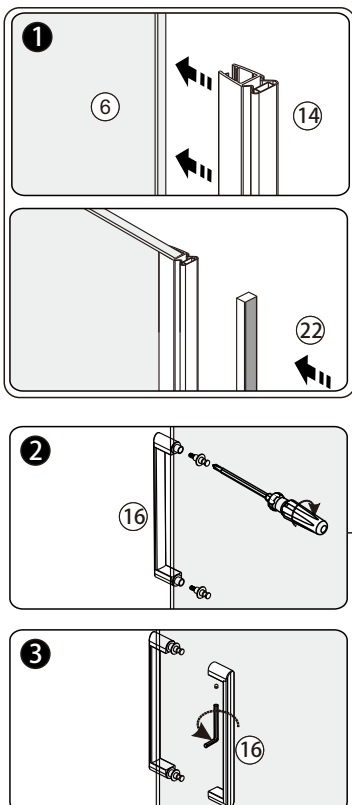
Installation des joints d'étanchéité / Gasket installation

B 12



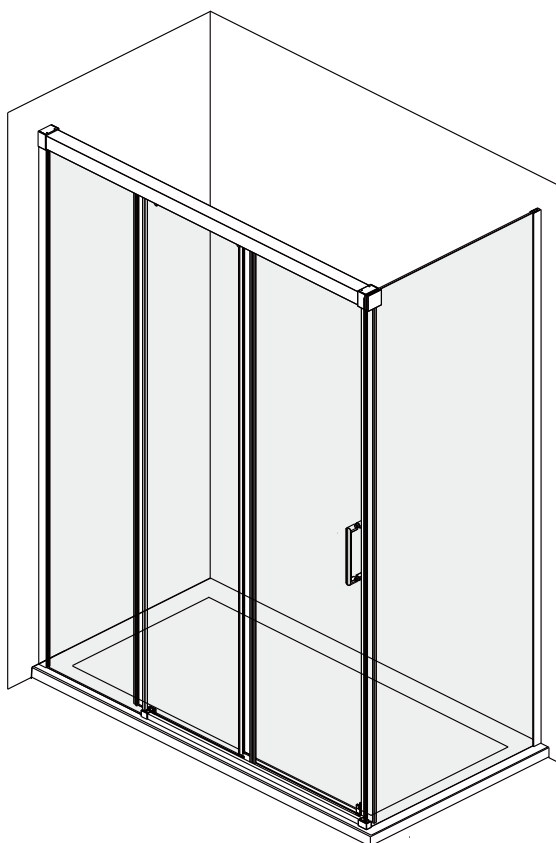
Sécuriser le panneau de retour / Secure return panel

B 13

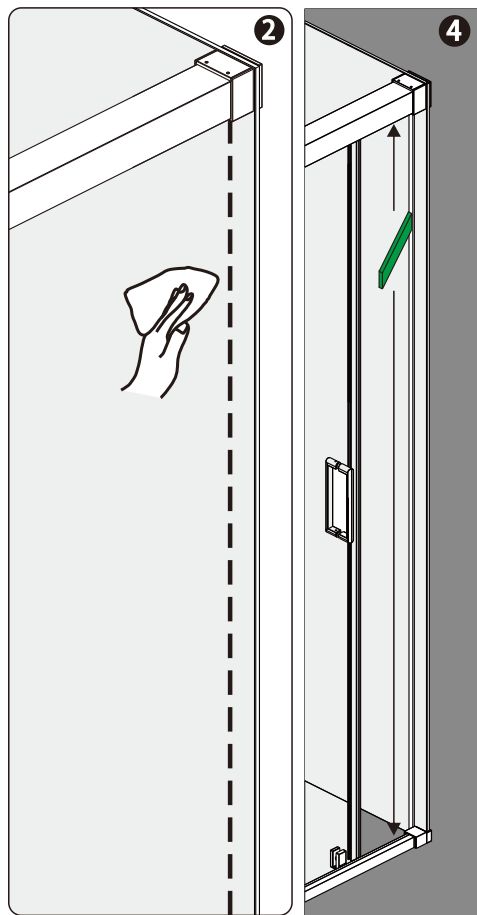
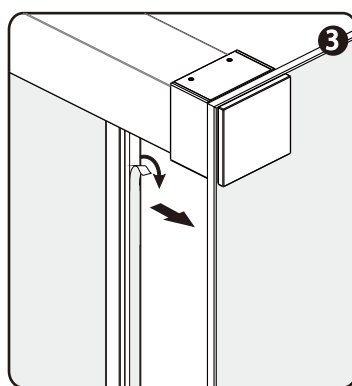


Installation du joint magnétique / Magnet installation

B 14

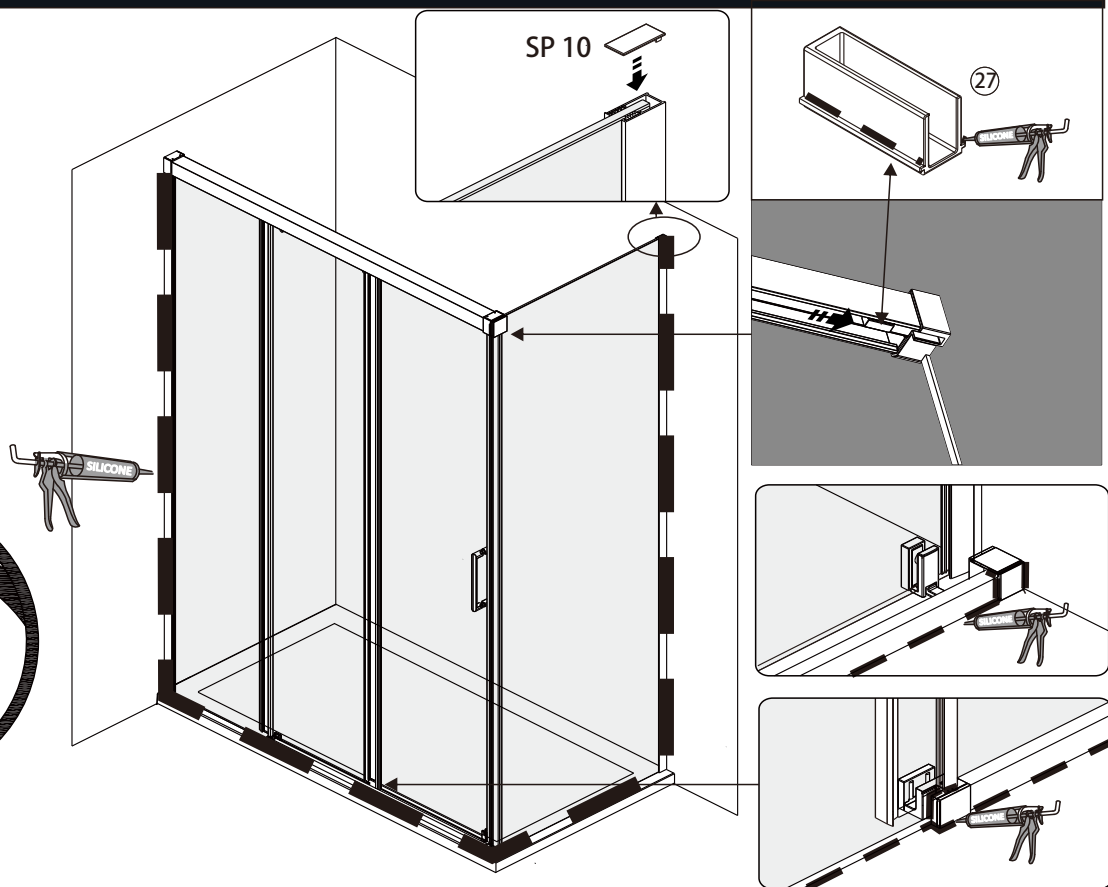


intérieur de la douche/
inside of shower



Calfeutrage / Caulking

B 15



WARRANTY / GARANTIES

Warranty Bathtub / Shower

| | |
|----------------------------------|----------|
| Acrylic | 20 years |
| System and composants | 3 years |
| ADA and / or commercial products | 1 year |
| Shower doors | 10 years |
| Roller and hinges | Lifetime |
| Slik stone / solid surface | 5 years |
| Slik cast / cast iron | 25 years |
| ZittaClean | 10 years |
| Accessory, drain & niche | 5 years |
| Shower column | 10 years |
| Electronics | 1 year |

Following the terms and conditions described below, ZittaGroup warrants the product to be free from defects in workmanship from the date of purchase. This warranty applies to the initial date of purchase from an authorized dealer for the owner/end-user only. This warranty cannot be transferred to a third party. This warranty excludes any expenses related to shipping, handling and/or installation fees.

The present warranty does not cover the defects or breaking resulting from any Act of God, accident, catastrophe, abuse, negligence, improper installation, addition or removal of parts or equipment, of misuse, intensive variation of temperature, exposures to chemicals and/or abrasives of any kind, stains caused by different types of water such as ferrous or alkaline water.

ZittaGroup cannot be held responsible for the direct or indirect damage caused by or resulting from fortuitous occurrences, from the expenses of sundries, labor, wastes of time, material or any other cost related to the application or the replacement of the product or one of its components. In the eventuality that a manufacturing defect appears, the owner/enduser must have followed the instructions of installation described in the installation manual, have in his possession the proof of purchase as well as a proof of installation by a professional recognized by the construction industry. ZittaGroup will, at its own discretion, repair or replace the product based on the selling price at the time of purchase. ZittaGroup reserves the right to inspect, on site, the defect by a representative of its choice. Any return of goods will not be accepted without the written authorization from ZittaGroup.

Care and cleaning

Zitta recommends the use of mild dishwashing liquids or water to keep the surfaces bright and clean. Rinse well and dry with a clean cloth. CAUTION : Powder detergents and liquid abrasive cleaners may damage surfaces. Do not allow the visible surfaces to come in contact with corrosive products such as drain cleaners. DO NOT USE : Cleaning agents that contains chlorides, alcohol, ammonia or mineral essences, steel wool, scouring pad or wire brushes.

Garantie Baignoire / Douche

| | |
|----------------------------------|--------|
| Acrylique | 20 ans |
| Système et composantes | 3 ans |
| Produits ADA et / ou commerciaux | 1 an |
| Porte de douche | 10 ans |
| Roulettes et pentures | À vie |
| Slik stone / solide surface | 5 ans |
| Slik cast / fonte | 25 ans |
| ZittaClean | 10 ans |
| Accessoire, drain & niche | 5 ans |
| Colonne de douche | 10 ans |
| Électroniques | 1 an |

Suite aux conditions et aux termes décrits ci-dessous, ZittaGroup garantit que le produit vendu est conforme à ses spécifications et qu'au moment de la vente, le produit est exempt de tout vice et/ou défaut de fabrication. Cette garantie n'est applicable que pour le premier acheteur/utilisateur et ce pour la première année à partir de la date d'achat. Cette garantie ne peut être transférée à une tierce personne. Cette garantie exclue tout frais relié au déplacement, frais d'installation et/ou désinstallation et aux frais de transport.

La présente garantie ne couvre pas les défauts ou bris résultant d'Acte de Dieu, d'accident, de catastrophe, d'abus, de négligence, d'une installation non conforme, de l'ajout ou de la suppression de pièce ou équipement, d'une mauvaise utilisation, de variation de température intense, d'exposition aux produits chimiques et de des abrasifs de tout genre ou de tache provoquée par différents types d'eau tel une eau ferreuse ou alcaline.

ZittaGroup ne peut être tenu responsable des dommages directs ou indirects causés ou résultant de cas fortuits, des frais de main d'oeuvre, frais divers, perte de temps, matériaux ou autres coûts relatifs à l'application ou au remplacement du produit ou à l'une de ses composantes. Dans l'éventualité ou un défaut de fabrication se manifeste, l'acheteur/utilisateur devra avoir suivi les instructions d'installation inscrites au manuel d'instruction, devra présenter une preuve d'achat ainsi qu'une preuve d'installation par un professionnel reconnu par l'industrie de la construction. ZittaGroup pourra à son entière discrétion, réparer ou remplacer le produit sur une base au prorata du prix alors en vigueur. ZittaGroup se réserve le droit de faire inspecter, sur le site, la défectuosité par un représentant de son choix. Aucun retour ne sera accepté sans l'autorisation au préalable de ZittaGroup.

Nettoyage et entretien

Zitta recommande l'utilisation de détergents liquides doux pour vaisselle ou d'eau afin de garder une surface propre et brillante. Rincer très bien et assécher avec un chiffon propre. ATTENTION : Les détergents en poudre ou liquides abrasifs peuvent endommager les surfaces. Ne jamais mettre en contact avec des produits corrosifs tel que les produits de débouchage de drain. NE PAS UTILISER : Des produits nettoyants contenant des chlorures, de l'alcool, de l'ammoniac ou de l'essence minérale. De la laine d'acier, tampon à récurer ou brosses.

① Need help? Contact us!

☎ Tel: 1-855- 492-4242 450-704-2323
 ☎ Fax: 1-866-735-6885
 ✉ Info@zittagroup.com
 🌐 www.zittagroup.com

① Besoin d'aide? Contactez nous!

☎ Tel: 1-855- 492-4242 450-704-2323
 ☎ Fax: 1-866-735-6885
 ✉ Info@zittagroup.com
 🌐 www.zittagroup.com